



650 V GaNFast™ Power IC

1. Features

GaNFast™ Power IC

- Large cooling pad
- Enhanced thermals when using CS resistor
- Monolithically-integrated gate drive
- Wide V_{CC} range (10 to 30 V)
- Programmable turn-on dV/dt
- Source Kelvin ground
- 200 V/ns dV/dt immunity
- 800 V Transient Voltage Rating
- 650 V Continuous Voltage Rating
- Low 70 m Ω resistance
- Zero reverse recovery charge
- ESD protection – 2 kV (HBM), 1 kV (CDM)
- 2 MHz operation

Small, low-profile SMT QFN

- 6 x 8 mm footprint, 0.85 mm profile
- Minimized package inductance

Sustainability

- RoHS, Pb-free, REACH-compliant
- Up to 40% energy savings vs Si solutions
- System level 4kg CO₂ Carbon Footprint reduction

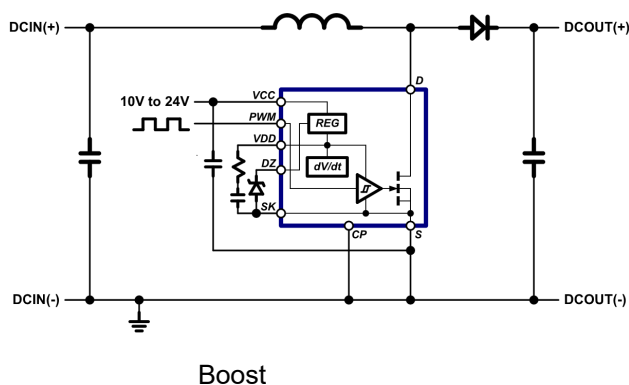
Product Reliability

- 20-year limited product warranty (see Section 14 for details)

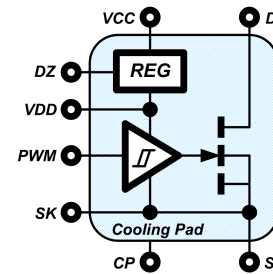
2. Topologies / Applications

- AC-DC, DC-DC, DC-AC
- QR Flyback, PFC, AHB, Buck, Boost, Half bridge, Full bridge, LLC resonant, Class D
- Wireless power, Solar Micro-inverters, LED lighting, TV SMPS, Server, Telecom

4. Typical Application Circuits



QFN 6 x 8 mm



Simplified schematic

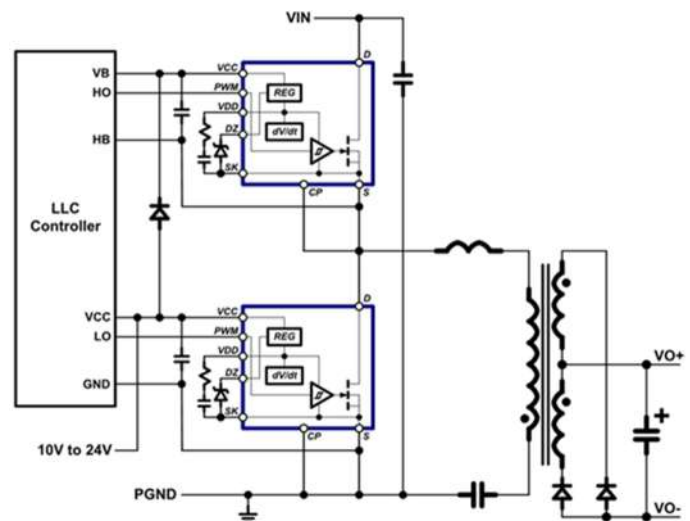
3. Description

The NV6128 is a thermally-enhanced version of the popular 650 V GaNFast™ power IC, optimized for high-frequency and soft-switching topologies.

Monolithic integration of FET, drive and logic creates an easy-to-use ‘digital in, power out’ high performance powertrain building block, enabling designers to create the fastest, smallest, most efficient integrated powertrain in the world.

The highest dV/dt immunity, high-speed integrated drive and industry standard low-profile, low-inductance, 6 x 8 mm SMT QFN package allow designers to exploit Navitas GaN technology with simple, quick, dependable solutions for breakthrough power density and efficiency.

Navitas’ GaNFast™ power ICs extend the capabilities of traditional topologies such as flyback, half-bridge, resonant, etc. to MHz+ and enable the commercial introduction of breakthrough designs.



5. Table of Contents

1. Features	1	8.3. Programmable Turn-on dV/dt Control.....	12
2. Description	1	8.4. Source Kelvin (SK) Ground Pins.....	13
3. Topologies / Applications	1	8.5. IC Footprint and Pin-to-Pin Compatibility.....	13
4. Typical Application Circuits	1	8.6. Current Sensing	14
5. Table of Contents	2	8.7. 3.3V PWM Input Circuit.....	15
6. Specifications	3	8.8. PCB Layout Guidelines	15
6.1. Absolute Maximum Ratings ⁽¹⁾	3	8.9. Recommended Component Values	16
6.2. Recommended Operating Conditions ⁽³⁾	3	8.9.1. Zener Diode Selection	16
6.3. ESD Ratings.....	4	8.10. Drain-to-Source Voltage Considerations	17
6.4. Thermal Resistance	4	9. Recommended PCB Land Pattern	18
6.5. Electrical Characteristics.....	5	10. PCB Layout Guidelines	19
6.6. Switching Waveforms	6	11. QFN Package Outline	22
6.7. Characteristic Graphs	7	12. Tape and Reel Dimensions	23
7. Internal Schematic, Pin Configurations and Functions	10	13. Ordering Information	25
8. Functional Description	11	14. 20-Year Limited Warranty	25
8.1. Start Up	11	15. Revision History	25
8.2. Normal Operating Mode.....	12		

6. Specifications

6.1. Absolute Maximum Ratings⁽¹⁾

(with respect to Source (pad) unless noted)

SYMBOL	PARAMETER	MAX	UNITS
$V_{DS(TRAN)}$	Transient Drain-to-Source Voltage ⁽²⁾	800	V
$V_{DS(CONT)}$	Continuous Drain-to-Source Voltage	-7 to +650	V
V_{CC}	Supply Voltage	30	V
V_{PWM}	PWM Input Pin Voltage	-3 to +30	V
V_{DZ}	V_{DD} Setting Pin Voltage	6.6	V
V_{DD}	Drive Supply Voltage	7.5	V
V_{CP}	Cooling Pad Voltage	-10 to +10	V
I_D	Continuous Drain Current (@ $T_C = 100^\circ\text{C}$)	20	A
I_D PULSE	Pulsed Drain Current (10 μs @ $T_J = 25^\circ\text{C}$)	40	A
I_D PULSE	Pulsed Drain Current (10 μs @ $T_J = 125^\circ\text{C}$)	25	A
dV/dt	Slew Rate on Drain-to-Source	200	V/ns
T_J	Operating Junction Temperature	-55 to 150	$^\circ\text{C}$
T_{STOR}	Storage Temperature	-55 to 150	$^\circ\text{C}$

(1) Absolute maximum ratings are stress ratings; devices subjected to stresses beyond these ratings may cause permanent damage.

(2) $V_{DS(TRAN)}$ allows for surge ratings during non-repetitive events that are < 100 μs (for example start-up, line interruption) and repetitive events that are < 100 ns (for example repetitive leakage inductance spikes). Refer to Section 8.9 for detailed recommended design guidelines.

6.2. Recommended Operating Conditions⁽³⁾

SYMBOL	PARAMETER	MIN	TYP	MAX	UNITS
V_{DZ}	Drive Supply Set Zener Voltage ⁽⁴⁾	5.8	6.2	6.6	V
I_{DD_EXT}	Regulator External Load Current			3.0	mA
R_{DD}	Gate Drive Turn-On Current Set Resistance ⁽⁵⁾	10	25		Ω
V_{PWM}	PWM Input Pin Voltage	0	5	Min. of (V_{CC} or 20)	V
V_{CC}	Supply Voltage	10		24	V
T_C	Operating Case Temperature	-40		125	$^\circ\text{C}$

(3) Exposure to conditions beyond maximum recommended operating conditions for extended periods of time may affect device reliability.

(4) Use of Zener diode other than 6.2 V is not recommended. See for recommended part numbers of 6.2 V Zener diodes.

(5) R_{DD} resistor must be used. Minimum 10 Ohm to ensure application and device robustness.

6.3. ESD Ratings

SYMBOL	PARAMETER	MAX	UNITS
HBM	Human Body Model (per JS-001-2014)	2,000	V
CDM	Charged Device Model (per JS-002-2014)	1,000	V

6.4. Thermal Resistance

SYMBOL	PARAMETER	TYP	UNITS
$R_{eJC}^{(6)}$	Junction-to-Case	1.2	°C/W
$R_{eJA}^{(6)}$	Junction-to-Ambient	40	°C/W

(6) R_{θ} measured on DUT mounted on 1 square inch 2 oz Cu (FR4 PCB)

6.5. Electrical Characteristics

Typical conditions: $V_{DS} = 400\text{ V}$, $V_{CC} = 15\text{ V}$, $V_{DZ} = 6.2\text{ V}$, $F_{SW} = 1\text{ MHz}$, $T_{AMB} = 25\text{ °C}$, $I_D = 10\text{ A}$, $R_{DD} = 10\text{ }\Omega$ (or specified)

SYMBOL	PARAMETER	MIN	TYP	MAX	UNITS	CONDITIONS
V_{CC} Supply Characteristics						
I_{QCC}	V_{CC} Quiescent Current		0.85	2	mA	$V_{PWM} = 0\text{ V}$
I_{QCC-SW}	V_{CC} Operating Current		4.5		mA	$F_{SW} = 1\text{ MHz}$, $V_{DS} = \text{Open}$
Low-Side Logic Input Characteristics						
V_{PVMH}	Input Logic High Threshold (rising edge)			4	V	
V_{PVML}	Input Logic Low Threshold (falling edge)	1			V	
V_{LHYS}	Input Logic Hysteresis		0.5		V	
T_{ON}	Turn-on Propagation Delay		15		ns	Fig.1, Fig.2
T_{OFF}	Turn-off Propagation Delay		15		ns	Fig.1, Fig.2
T_R	Drain rise time		10		ns	Fig.1, Fig.2
T_F	Drain fall time		5		ns	Fig.1, Fig.2
Switching Characteristics						
F_{SW}	Switching Frequency			2	MHz	
t_{PW}	Pulse width	0.02		1000	μs	
GaN FET Characteristics						
I_{DSS}	Drain-Source Leakage Current		0.75	25	μA	$V_{DS} = 650\text{ V}$, $V_{PVM} = 0\text{ V}$
I_{DSS}	Drain-Source Leakage Current		20	50	μA	$V_{DS} = 650\text{ V}$, $V_{PVM} = 0\text{ V}$, $T_C = 125\text{ °C}$
$R_{DS(ON)}$	Drain-Source Resistance		70	100	m Ω	$V_{PVM} = 6\text{ V}$, $I_D = 10\text{ A}$
$R_{DS(ON)}$	Drain-Source Resistance		145		m Ω	$V_{PVM} = 6\text{ V}$, $I_D = 10\text{ A}$, $T_C = 125\text{ °C}$
V_{SD}	Source-Drain Reverse Voltage		3.2	5	V	$V_{PVM} = 0\text{ V}$, $I_{SD} = 10\text{ A}$
Q_{OSS}	Output Charge		48		nC	$V_{DS} = 400\text{ V}$, $V_{PVM} = 0\text{ V}$
Q_{RR}	Reverse Recovery Charge		0		nC	
C_{OSS}	Output Capacitance		47		pF	$V_{DS} = 400\text{ V}$, $V_{PVM} = 0\text{ V}$
$C_{O(er)}^{(7)}$	Effective Output Capacitance, Energy Related		72		pF	$V_{DS} = 400\text{ V}$, $V_{PVM} = 0\text{ V}$
$C_{O(tr)}^{(8)}$	Effective Output Capacitance, Time Related		120		pF	$V_{DS} = 400\text{ V}$, $V_{PVM} = 0\text{ V}$

(7) $C_{O(er)}$ is a fixed capacitance that gives the same stored energy as C_{OSS} while V_{DS} is rising from 0 to 400 V

(8) $C_{O(tr)}$ is a fixed capacitance that gives the same charging time as C_{OSS} while V_{DS} is rising from 0 to 400 V

6.6. Switching Waveforms

($T_C = 25\text{ }^\circ\text{C}$ unless otherwise specified)

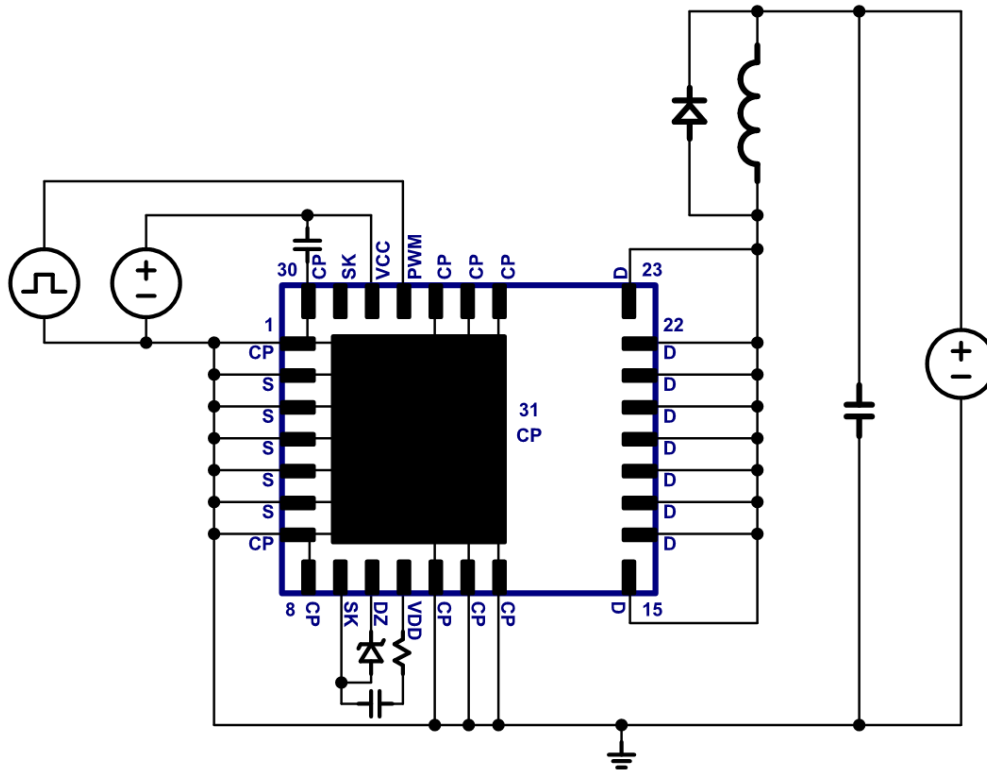


Fig. 1. Inductive switching circuit

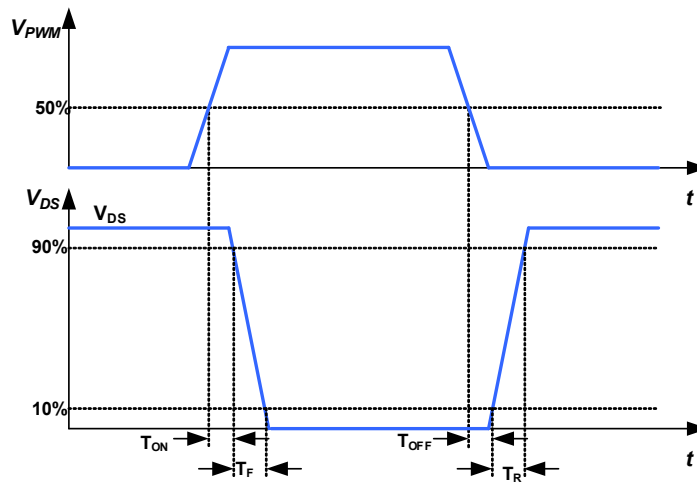


Fig. 2. Propagation delay and rise/fall time definitions

6.7. Characteristic Graphs

(GaN FET, $T_c = 25\text{ }^\circ\text{C}$ unless otherwise specified)

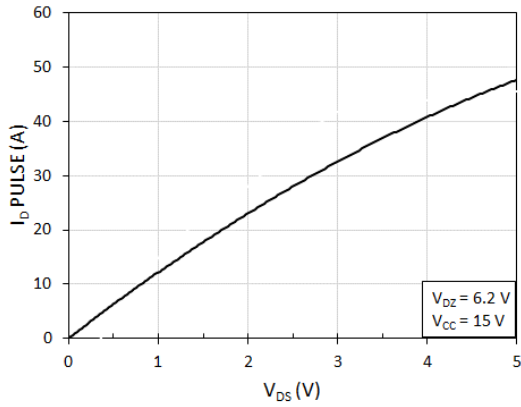


Fig. 3. Pulsed Drain current (I_D PULSE) vs. drain-to-source voltage (V_{DS}) at $T = 25\text{ }^\circ\text{C}$

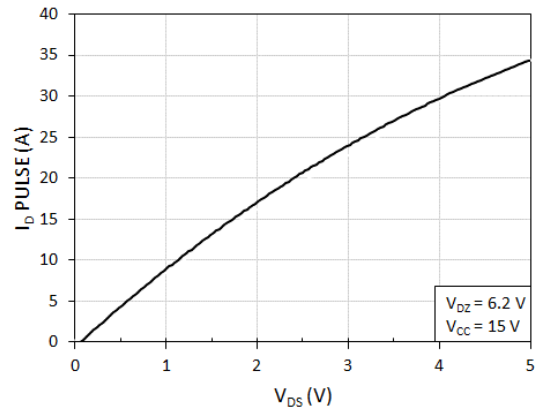


Fig. 4. Pulsed Drain current (I_D PULSE) vs. drain-to-source voltage (V_{DS}) at $T = 125\text{ }^\circ\text{C}$

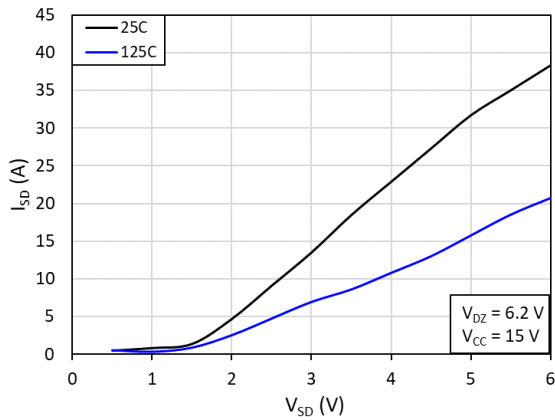


Fig. 5. Source-to-drain reverse conduction voltage

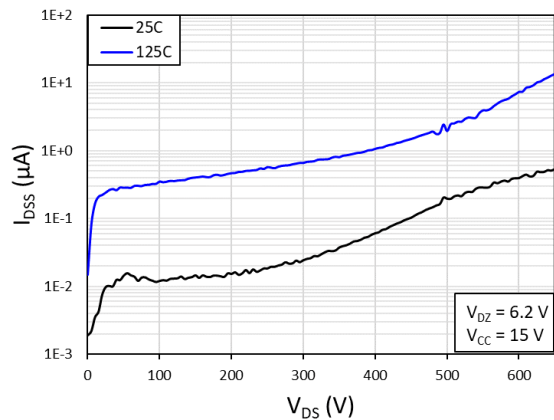


Fig. 6. Drain-to-source leakage current (I_{DSS}) vs. drain-to-source voltage (V_{DS})

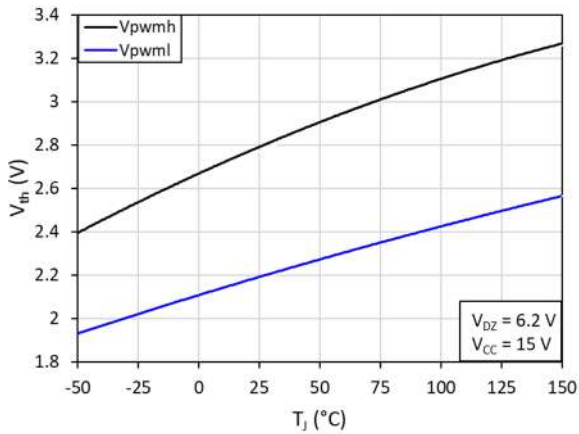


Fig. 7. $V_{P_{WMH}}$ and $V_{P_{WML}}$ vs. junction temperature (T_J)

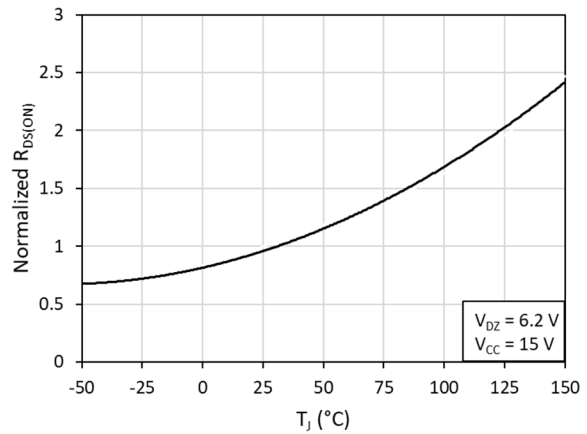


Fig. 8. Normalized on-resistance ($R_{DS(ON)}$) vs. junction temperature (T_J)

Characteristic Graphs (Cont.)

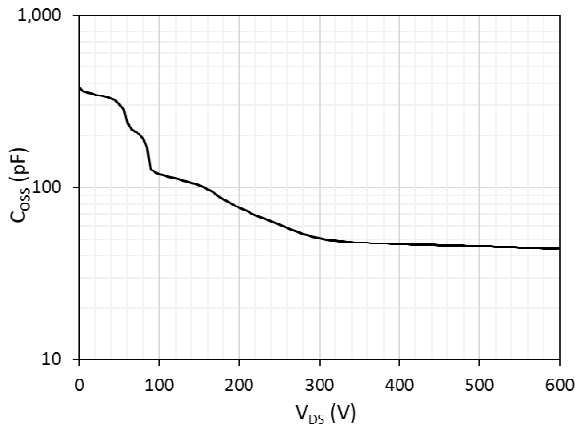


Fig. 9. Output capacitance (C_{OSS}) vs. drain-to-source voltage (V_{DS})

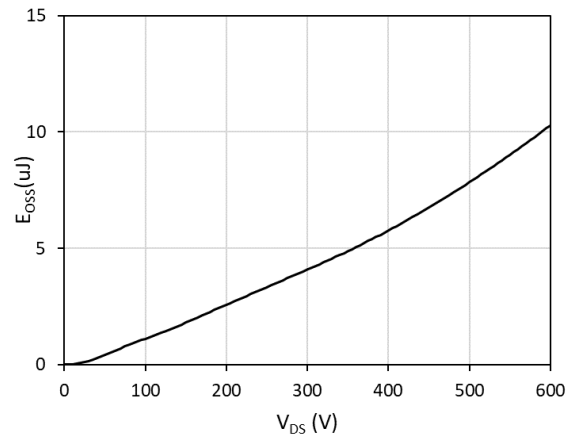


Fig. 10. Energy stored in output capacitance (E_{OSS}) vs. drain-to-source voltage (V_{DS})

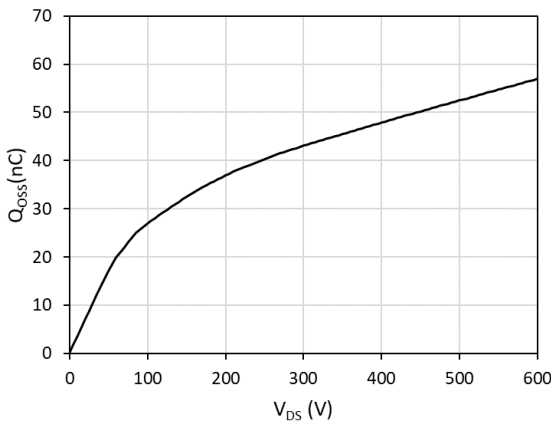


Fig. 11. Charge stored in output capacitance (Q_{OSS}) vs. drain-to-source voltage (V_{DS})

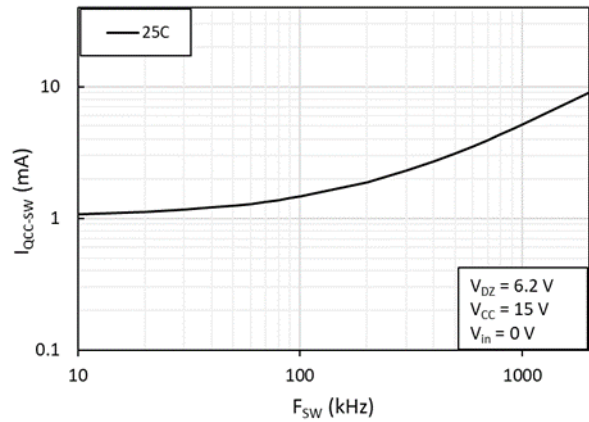


Fig. 12. V_{CC} operating current (I_{QCC-SW}) vs. operating frequency (F_{SW})

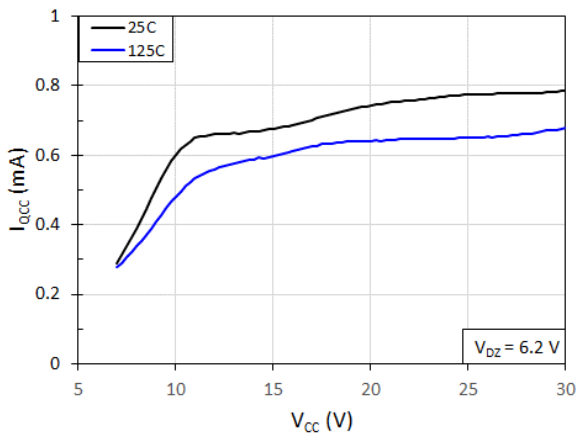


Fig. 13. V_{CC} quiescent current (I_{QCC}) vs. supply voltage (V_{CC})

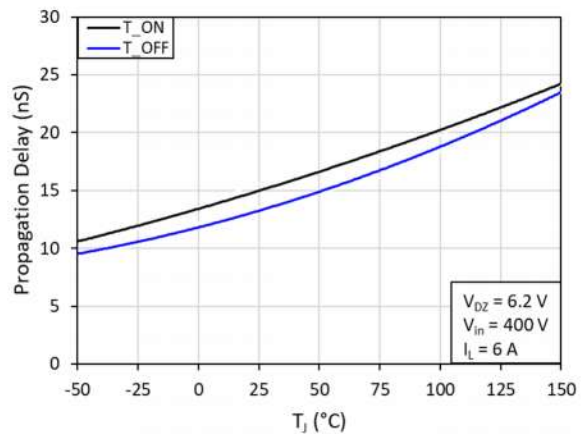


Fig. 14. Propagation delay (T_{ON} and T_{OFF}) vs. junction temperature (T_J)

Characteristic Graphs (Cont.)

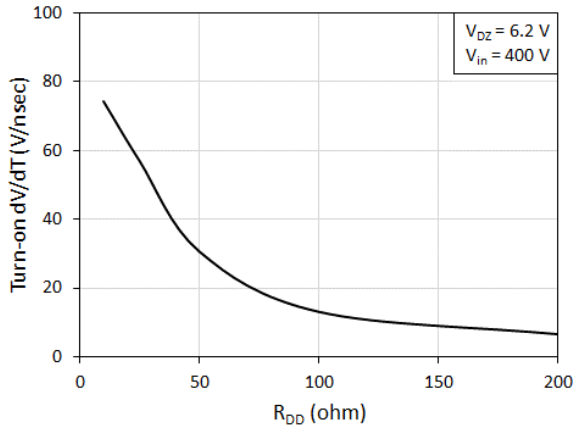


Fig. 15. Slew rate (dV/dt) vs. gate drive turn-on current set resistance (R_{DD}) at $T = 25\text{ }^{\circ}\text{C}$

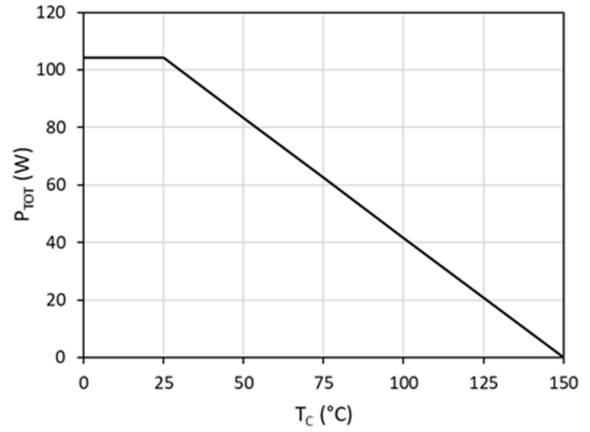


Fig. 16. Power dissipation (P_{TOT}) vs. case temperature (T_C)

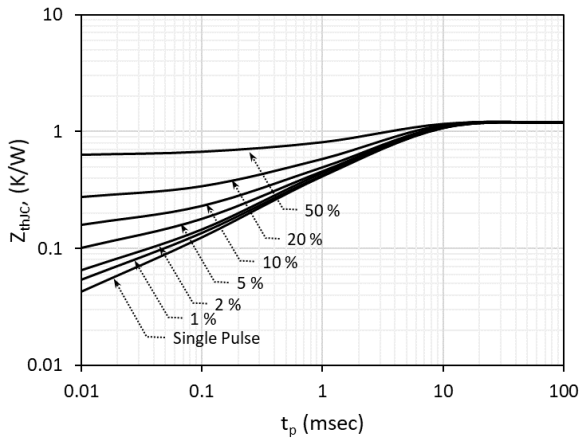
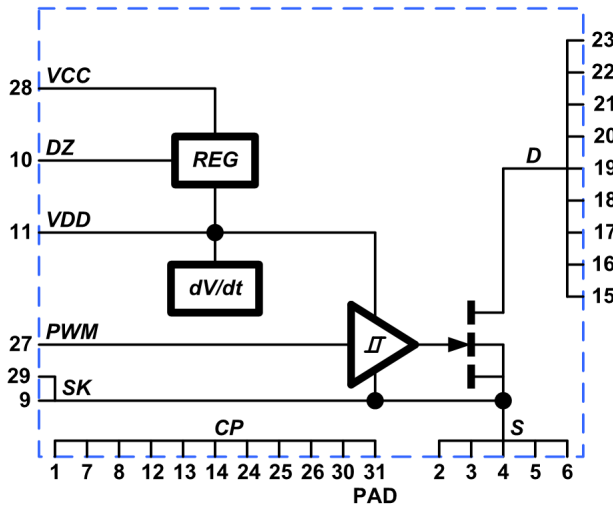
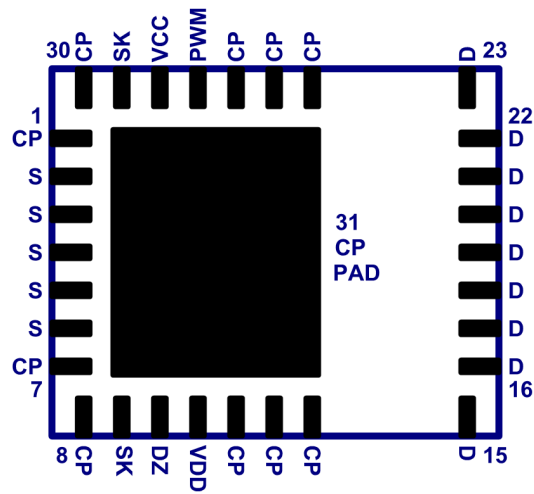


Fig. 17. Max. thermal transient impedance (Z_{thJC}) vs. pulse width (t_p)

7. Internal Schematic, Pin Configurations and Functions



Connect CP to S or PGND in PCB layout
See PCB layout section of this datasheet



Package Top View

Pin		I/O ⁽¹⁾	Description
Number	Symbol		
1,7,8,12,13,14,24,25,26,30,31	CP	T	Metal cooling pad on bottom of package for thermal management. CP must be connected to Source or circuit PGND. Do not leave CP unconnected or floating!
2,3,4,5,6	S	O, G	Source of power FET & GaN IC supply ground.
10	D _Z	I	Gate drive supply voltage set pin (connect 6.2 V Zener to GND).
11	V _{DD}	I	Gate drive supply voltage. Gate drive turn-on current set pin (using R _{DD}).
27	PWM	I	PWM input
28	V _{CC}	P	Supply voltage (10V to 24V)
15,16,17,18,19,20,21,22,23	D	P	Drain of power FET
9, 29	SK	SK	GaN IC Source Kelvin ground

(1) I = Input, O = Output, P = Power, G = GaN IC Ground, T = Thermal, SK = Source Kelvin

8. Functional Description

The following functional description contains additional information regarding the IC operating modes and pin functionality.

8.1. Start Up

When the V_{CC} supply is first applied to the GaNFast power IC, care should be taken such that the V_{DD} and D_z pins are up at their correct voltage levels before the PWM input signal starts. The V_{DD} pin ramp up time is determined by the internal regulator current at this pin and the external C_{VDD} capacitor. C_{VDD} time constant should be calculated such that there is sufficient time to charge up the C_{VDD} capacitor to ~6V. In some scenarios, where fast startup is required, an optional diode in parallel with the R_{DD} can be used to ensure the C_{VDD} capacitor is fully charged before the first PWM pulse is applied. Also, since the D_z pin voltage sets the V_{DD} voltage level, the V_{DD} pin will ramp up together with the D_z pin (**Error! Reference source not found.**).

For half-bridge configurations, it is important that the V_{CC} supply, the D_z pin, and the V_{DD} supply of the high-side GaNFast power IC are all charged up to their proper levels before the first high-side PWM pulses start. For LLC applications, a long on-time PWM pulse to the low-side (> 10 μ s) is typically provided by the LLC controller to allow the supply pins of the high-side GaNFast power IC to charge up (through the external bootstrap diode) to their correct levels before the first high-side PWM pulses start (**Error! Reference source not found.**).

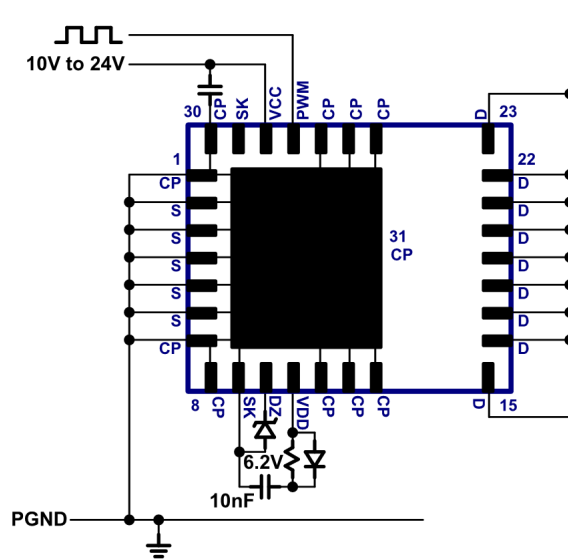


Fig. 18. Start-up circuit

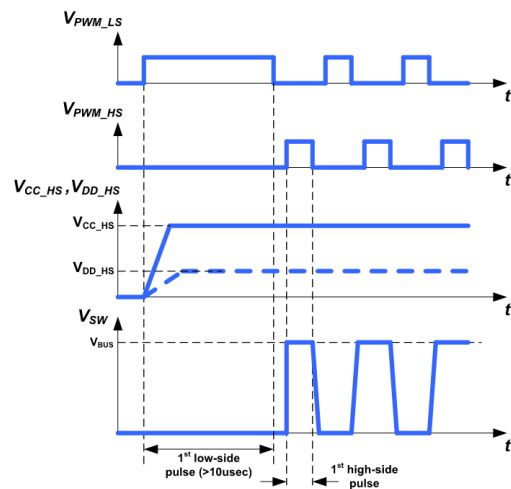


Fig. 19. LLC half-bridge start-up timing diagram

8.2. Normal Operating Mode

During Normal Operating Mode, all of the internal circuit blocks are active. V_{CC} is operating within the recommended range of 10 V to 24 V, the V_{DD} pin is at the voltage set by the Zener diode at the D_z pin (6.2 V), and the internal gate drive and power FET are both enabled. The external PWM signal at the PWM pin determines the frequency and duty-cycle of the internal gate of the power FET. As the PWM voltage toggles above and below the rising and falling input thresholds (4 V and 1 V), the internal gate of the power FET toggles on and off between V_{DD} and 0 V (**Error! Reference source not found.**). The drain of the power FET then toggles between the source voltage (typically power ground) and a higher voltage level (650 V max), depending on the external power conversion circuit topology.

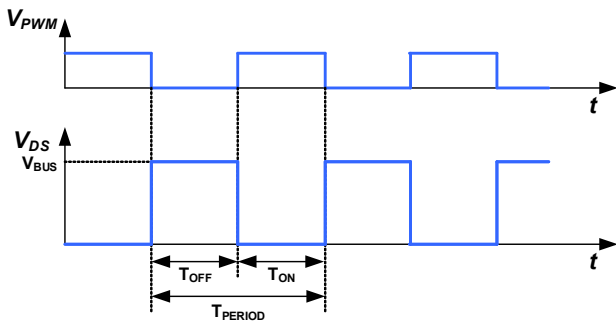


Fig. 20. Normal operating mode timing diagram

8.3. Programmable Turn-on dV/dt Control

During first start-up pulses or during hard-switching conditions, it is desirable to limit the slew rate (dV/dt) of the drain of the power FET during turn-on. This is necessary to reduce EMI or reduce circuit switching noise. To program the turn-on dV/dt rate of the internal power FET, a resistor (R_{DD}) is placed in between the V_{DD} capacitor and the V_{DD} pin. This resistor (R_{DD}) sets the turn-on current of the internal gate driver and therefore sets the turn-on falling edge dV/dt rate of the drain of the power FET (**Error! Reference source not found.**). A typical turn-on slew-rate change with respect to R_{DD} is shown in **Error! Reference source not found.** **Minimum 10 Ω R_{DD} is required.**

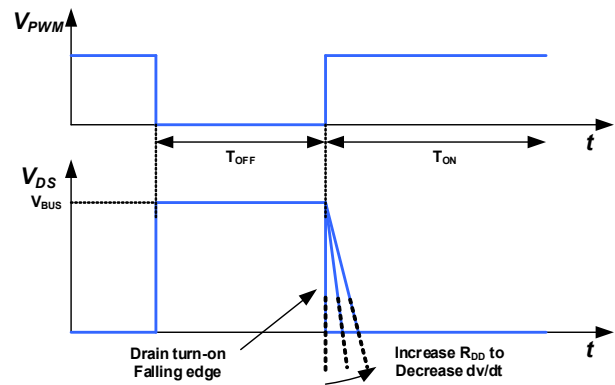


Fig. 21. Turn-on dV/dt slew rate control

8.4. Source Kelvin (SK) Ground Pins

For high current and hard-switching CCM applications, high-frequency switching noise due to PCB layout parasitic inductance should be minimized as much as possible. To further reduce high-frequency noise, this GaN Power IC includes two Source Kelvin (SK) pins (pin 9, pin 29). The SK pins are on-chip kelvin contacts to the Source and are separate from the high current Source connections (pins 2-7). The GND connections for components C_{VDD} and D_Z should be connected to SK pin 9, and the GND connection for C_{VCC} should be connected to CP pin 30 (Fig. 22). SK pin 29 should be left unconnected (N/C). When using an external gate drive buffer for PWM, the GND of the external gate drive buffer should be connected to the SK pin 29. This will minimize any possible high frequency voltage spikes from occurring at the PWM input during switching.

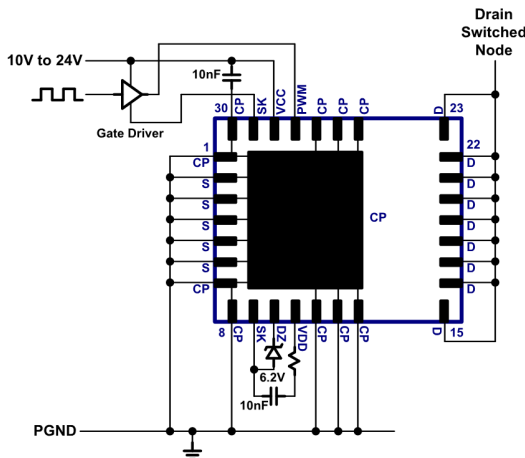


Fig. 22. SK pin connections

8.5. IC Footprint and Pin-to-Pin Compatibility

The NV6128 has the same footprint as other GaNFast ICs (i.e. NV6127) but pin-to-pin compatibility depends on the actual circuit configuration and if a current sensing resistor is used or not. The NV6128 is slightly different than the NV6127 due to the SK pins. For circuit configurations without an external current sensing resistor (R_{CS}) connected between the Source of the GaN IC and PGND, then placing the NV6128 onto the same PCB layout as the NV6127 will result in the SK pins of the NV6128 to be connected to CP and to Source. The NV6128 will function normally in this configuration and there is no need to change the PCB layout or GaN IC connections (Fig. 23). For circuit configurations with an external current sensing resistor connected between the Source of the GaN IC and PGND, the SK pins will be connected to CP and to the bottom of the R_{CS} resistor, and the Source connections (pins 2-7) are connected at the top of the R_{CS} resistor. This will result in large voltage spikes between SK and Source during switching transitions. In this case the SK pin connections will need to be disconnected from CP so a new PCB layout is necessary (Fig. 24). **Check the circuit configuration carefully and make sure SK, CP and Source pins are connected correctly!**

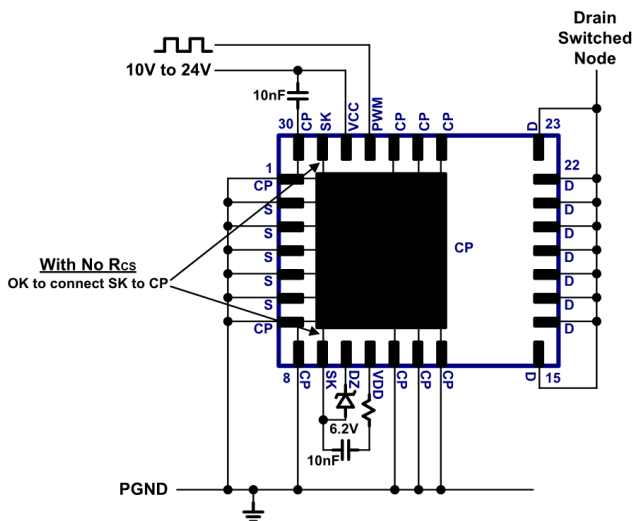


Fig. 23 NV6128 with no R_{CS} is compatible with NV6127 connections

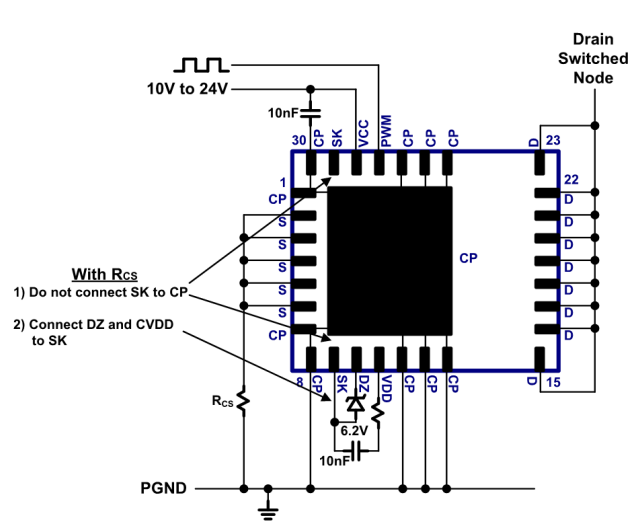


Fig. 24 NV6128 with R_{CS} is not directly compatible with NV6127 connections

8.7. 3.3V PWM Input Circuit

For some applications where a 3.3 V PWM signal is required (DSP, MCU, etc.) an additional buffer can be placed before the PWM input pin (Fig. 26) with the buffer supply voltage connected to the V_{DD} capacitor.

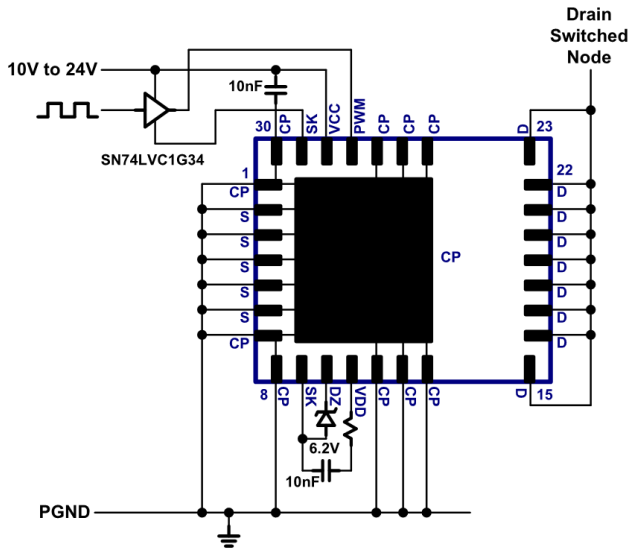


Fig. 26 3.3 V PWM input buffer circuit

8.8. PCB Layout Guidelines

The design of the PCB layout is critical for good noise immunity, sufficient thermal management, and proper operation of the IC. Typical PCB layout examples for without current sensing resistor and with current sensing resistor, are all shown in Section **Error! Reference source not found.**

The following rules should be followed carefully during the design of the PCB layout:

- 1) Place all IC filter and programming components directly next to the IC. These components include (C_{VCC} , C_{VDD} , R_{PWM} , C_{PWM} , R_{DD} and D_Z).
- 2) Keep ground trace of IC filter and programming components separate from power GND trace. Do not run power GND currents through ground trace of filter components!
- 3) For best thermal management, place thermal vias in the source pad area to conduct the heat out through the bottom of the package and through the PCB board to other layers (see Section **Error! Reference source not found.** for correct layout examples).
- 4) Use large PCB thermal planes (connected with thermal vias to the source pad) and additional PCB layers to reduce IC temperatures as much as possible (see Section **Error! Reference source not found.** for correct layout examples).
- 5) For half-bridge layouts, do not extend copper planes from one IC across the components or pads of the other IC!
- 6) For high density designs, use a 4-layer PCB and 2 oz. copper to route signal connections. This allows layout to maintain large thermal copper planes and reduce power device temperature.

8.9. Recommended Component Values

The following table () shows the recommended component values for the external filter capacitors, Zener diode, and R_{DD} connected to the pins of the GaNFast power IC. These components should be placed as close as possible to the IC. Please see PCB Layout guidelines for more information. The Zener diode at the D_z pin should be a low-current type with a flat knee, and the min/max limits must be followed. R_{DD} must be a minimum of $10\ \Omega$ to ensure application and device robustness.

SYM	DESCRIPTION	PART NO.	SUPPLIER	MIN	TYP	UNITS
C_{VCC}	Maximum V_{CC} supply capacitor				10	nF
C_{VDD}	V_{DD} supply capacitor			47		nF
R_{DD}	Gate drive turn-on current set resistor			10	25	Ω
D_z	V_{DD} set Zener diode (D_z pin)	BZT52B6V2 RHG	Taiwan Semiconductor Corporation	5.8	6.2	V
		MM3Z6V2ST1G	ON-Semiconductor			
		PDZ6.2B.115	Nexperia (NXP)			
		PLVA662A.215	Nexperia (NXP)			
		LM3Z6V2T1	Leshan Radio Company			
R_{PWM}	PWM filter resistor				100	Ω
C_{PWM}	PWM filter capacitor				100	pF

Table I. Recommended component values.

8.9.1 Zener Diode Selection

The Zener voltage is a critical parameter that sets the internal reference for gate drive voltage and other circuitry. The Zener diode needs to be selected such that the voltage on the D_z pin is within recommended operating conditions (5.8 V to 6.6 V) across operating temperature (-40°C to 125°C) and bias current ($10\ \mu\text{A}$ to $1\ \text{mA}$). To ensure effective operation, the current vs. voltage characteristics of the Zener diode should be measured down to $10\ \mu\text{A}$ to ensure flat characteristics across the current operating range ($10\ \mu\text{A}$ to $1\ \text{mA}$). The recommended part numbers (Table I) meet these requirements. If the Zener selected by user does not ensure that the voltage on the D_z pin is always within the recommended operating range, the functionality and reliability of the GaNFast power IC can be impacted.

8.10. Drain-to-Source Voltage Considerations

GaN Power ICs have been designed and tested to provide significant design margin to handle transient and continuous voltage conditions that are commonly seen in single-ended topologies, such as quasi-resonant (QR) flyback applications. The different voltage levels and recommended margins in a typical QR flyback can be analyzed using Fig. 27. When the device is switched off, the energy stored in the transformer leakage inductance will cause V_{DS} to overshoot to the level of V_{SPIKE} . The clamp circuit should be designed to control the magnitude of V_{SPIKE} . It is recommended to apply an 80% derating from $V_{DS(TRAN)}$ rating (800V) to 650 V max for repetitive V_{DS} spikes under the worst case steady-state operating conditions. After dissipation of the leakage energy, the device V_{DS} will settle to the level of the bus voltage plus the reflected output voltage which is defined in Fig. 27 as $V_{PLATEAU}$. It is recommended to design the system such that $V_{PLATEAU}$ follows a typical derating of 80% (520V) from $V_{DS(CONT)}$ (650V). Finally, $V_{DS(TRAN)}$ (800V) rating is also provided for events that occur on a non-repetitive basis, such as line surge, lightning strikes, start-up, over-current, short-circuit, load transient, and output voltage transition. 800V $V_{DS(TRAN)}$ ensures excellent device robustness and no-derating is needed for these non-repetitive events, assuming the surge duration is $< 100 \mu s$. For half-bridge based topologies, such as LLC, V_{DS} voltage is clamped to the bus voltage. V_{DS} should be designed such that it meets the $V_{PLATEAU}$ derating guideline (520V).

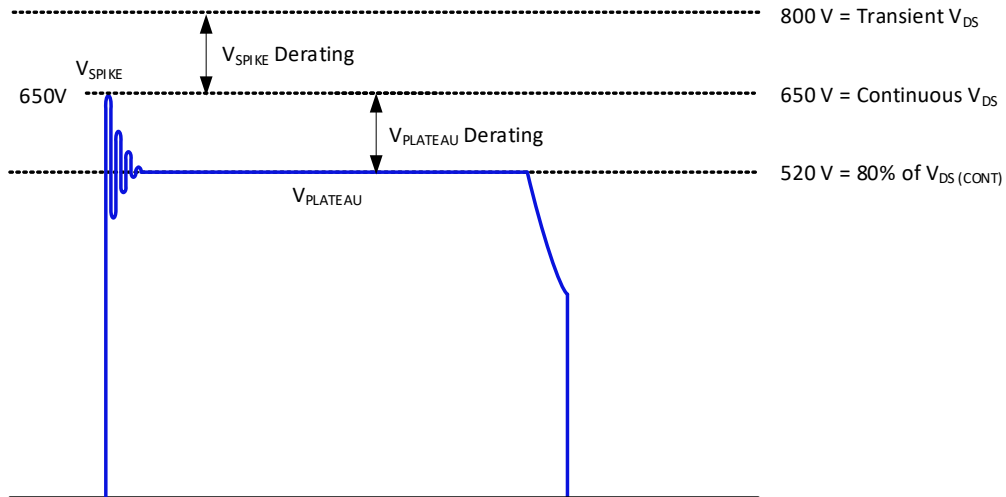
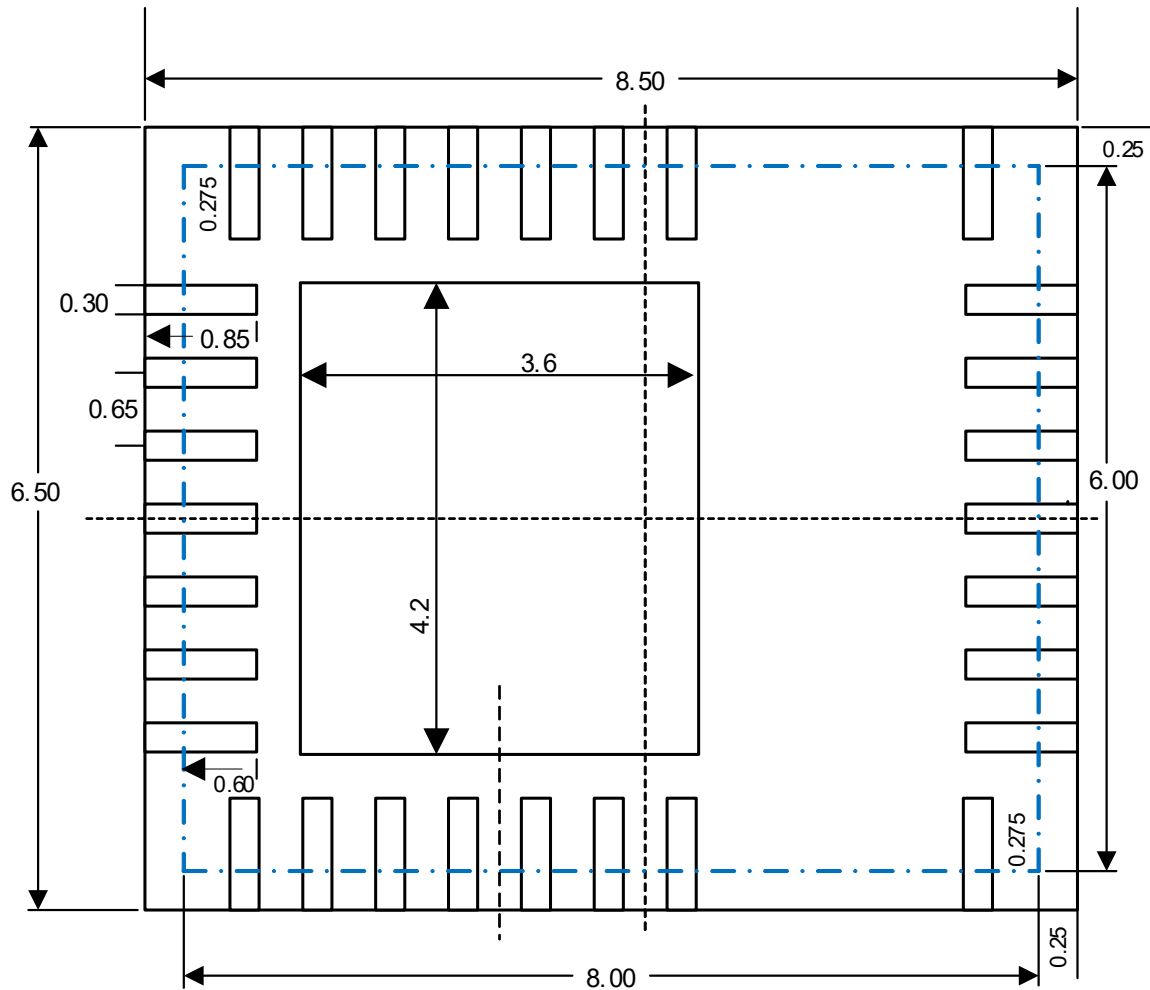


Fig. 27 QR flyback drain-to-source voltage stress diagram

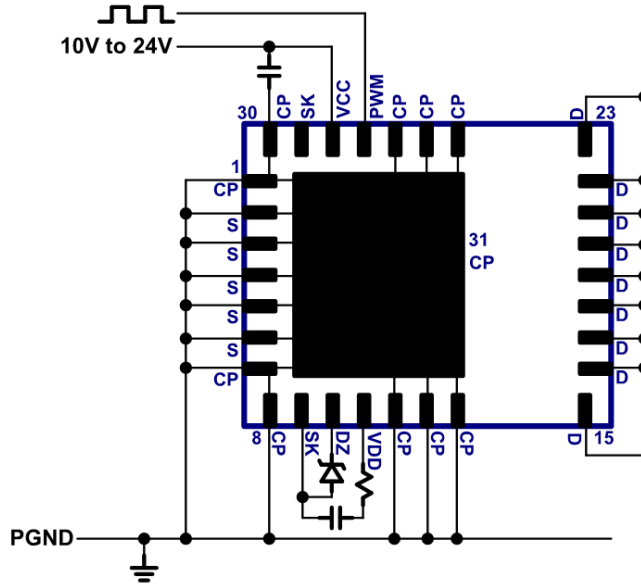
9. Recommended PCB Land Pattern



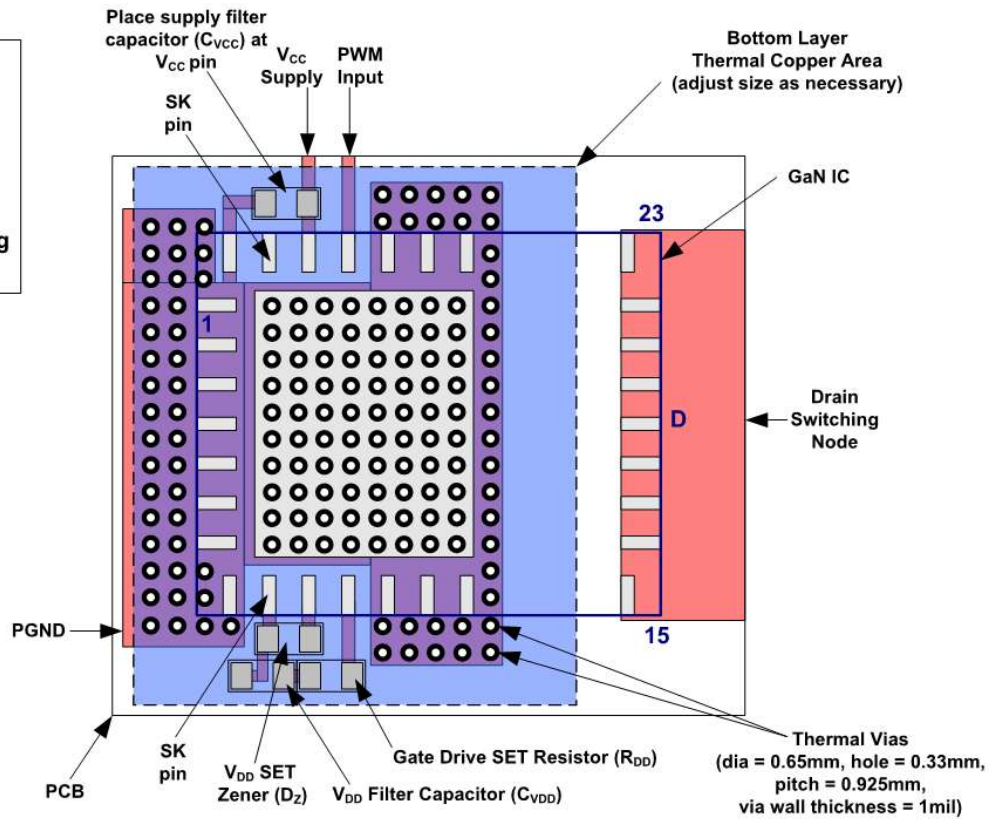
All dimensions are in mm

10. PCB Layout Guidelines

Without CS Resistor:

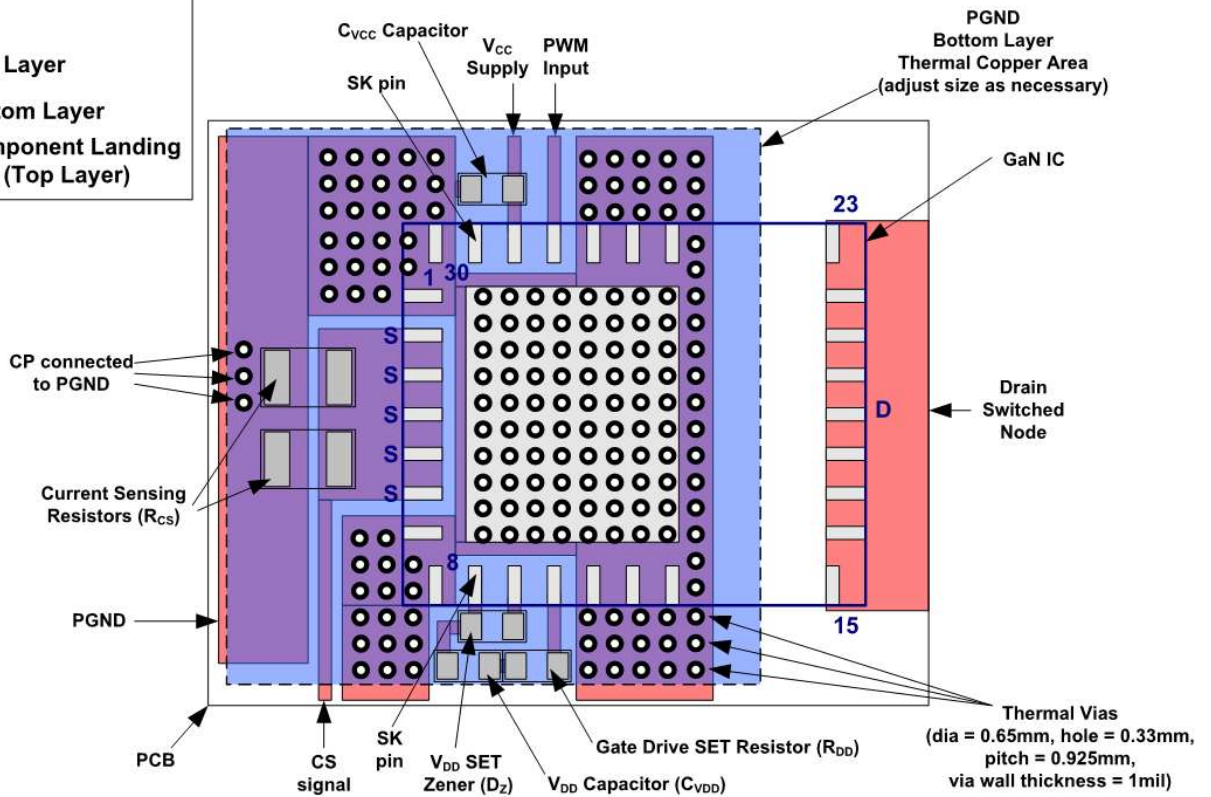
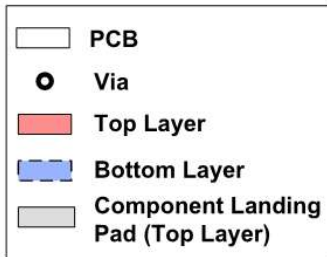
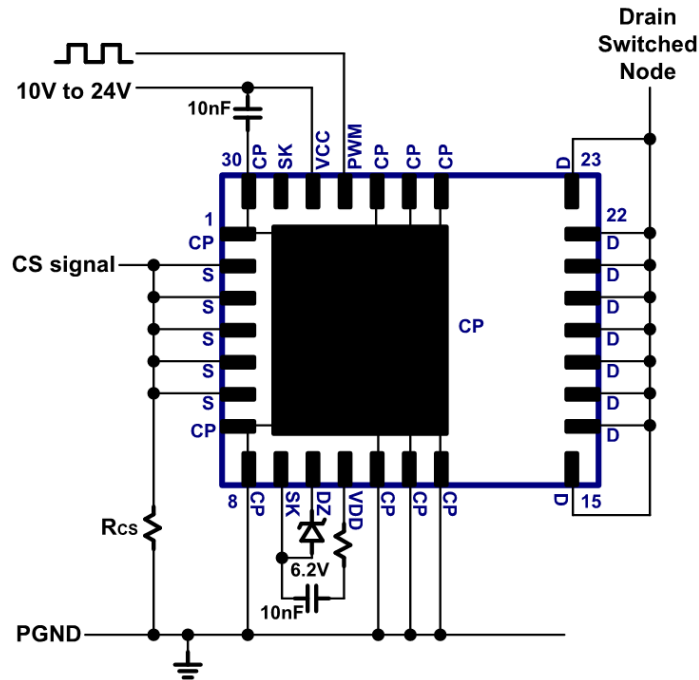


- PCB
- Via
- Top Layer
- Bottom Layer
- Component Landing Pad (Top Layer)



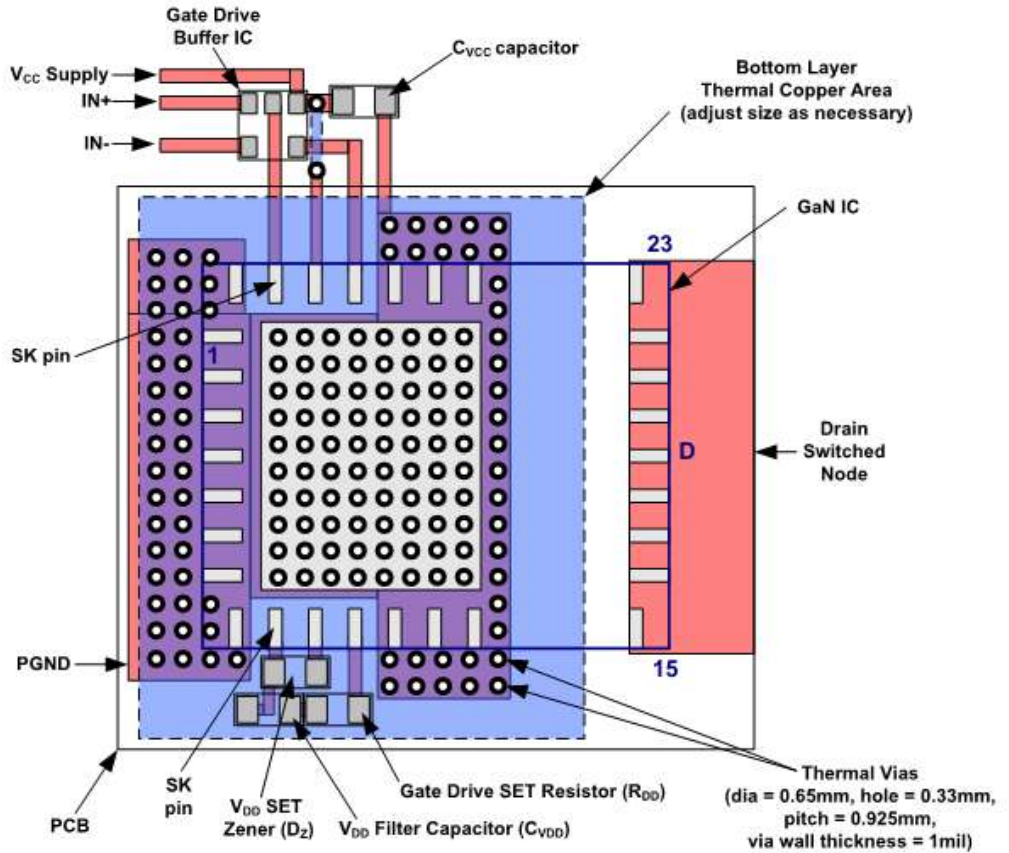
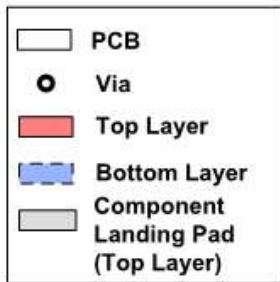
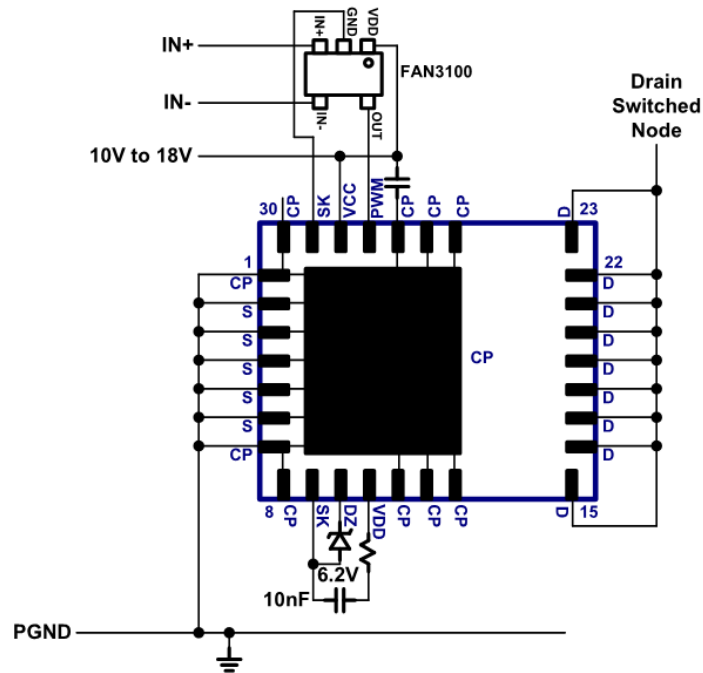
(Top View)

With CS Resistor:



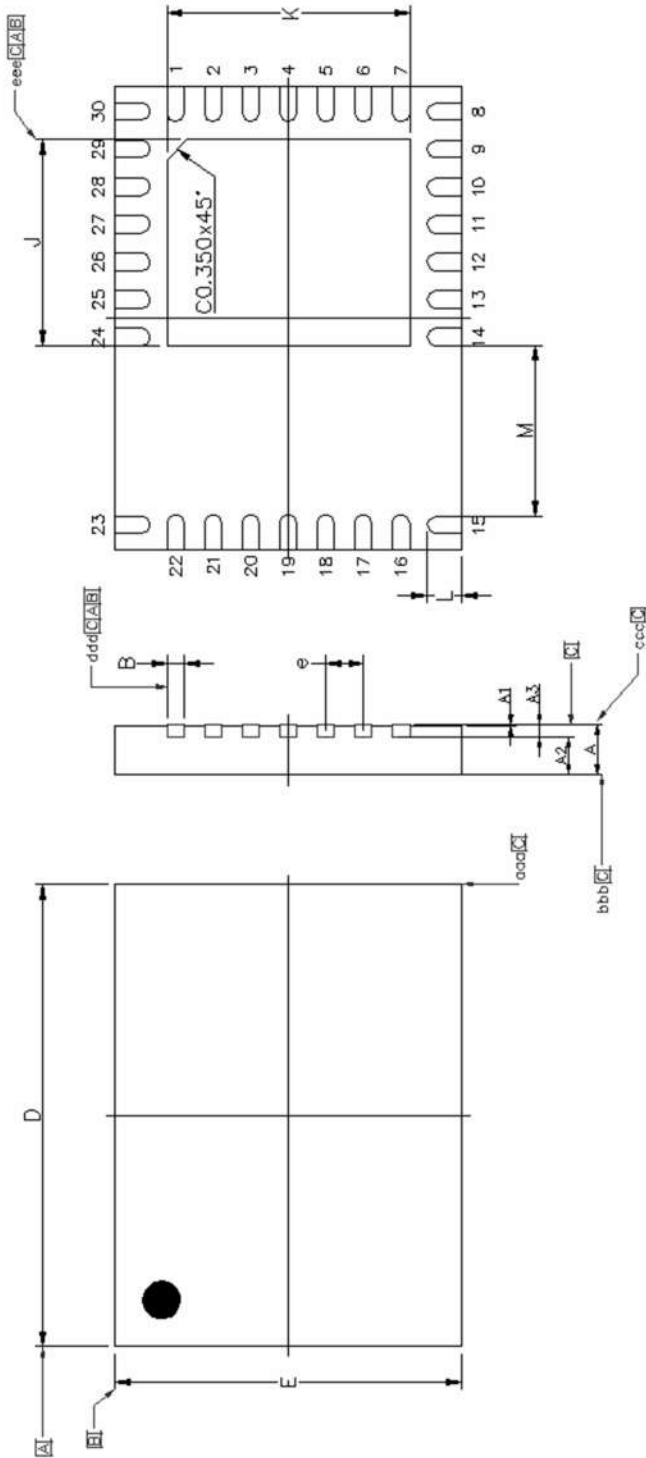
(Top View)

With Gate Driver Buffer (no R_{CS}):



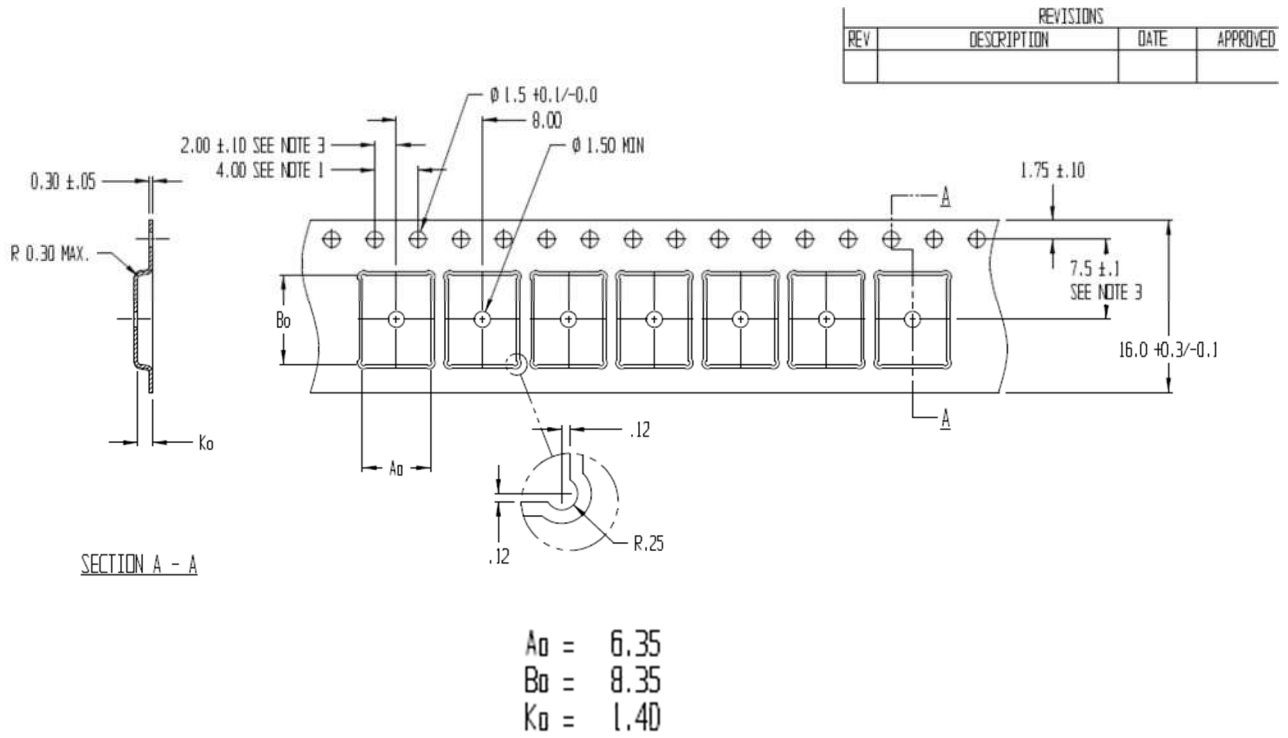
(Top View)

11. QFN Package Outline

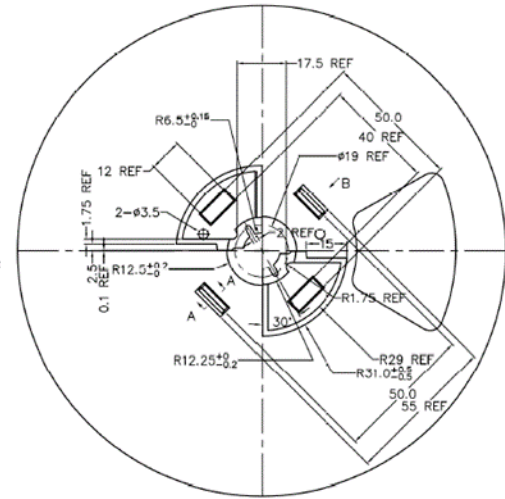
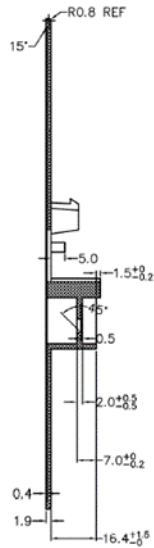
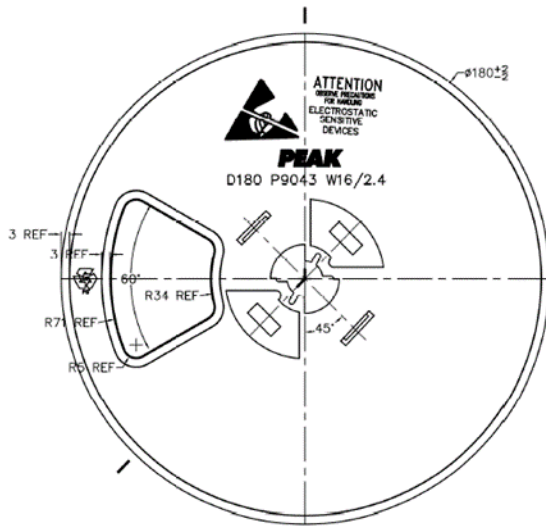


	SYMBOL	MIN	NOM	MAX		SYMBOL	MIN	NOM	MAX
TOTAL THICKNESS	A	0.8	0.85	0.9					
STANDOFF	A1	0.00	0.02	0.05	EP SIZE	X	3.5	3.6	3.7
MOLD THICKNESS	A2	---	0.65	---	LEAD LENGTH	Y	4.1	4.2	4.3
L/F THICKNESS	A3	---	0.203 REF	---	HIGH VOLTAGE SPACING	L	0.55	0.6	0.65
LEAD WIDTH	B	0.25	0.3	0.35	PACKAGE EDGE TOLERANCE	M	2.85	2.95	3.05
BODY SIZE	D	8.00 BSC			MOLD FLATNESS	aaa	0.1		
		6.00 BSC			COPLANARITY	bbb	0.1		
LEAD PITCH	e	0.65 BSC			LEAD OFFSET	ccc	0.08		
					EXPOSED PAD OFFSET	ddd	0.1		
					eee	0.1			

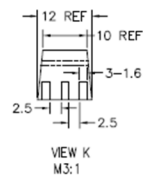
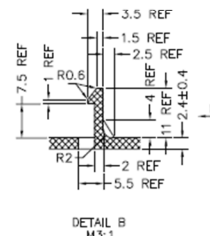
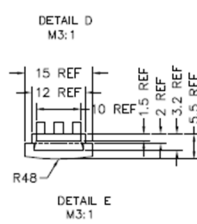
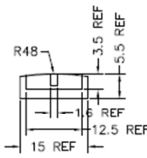
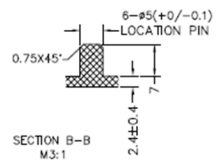
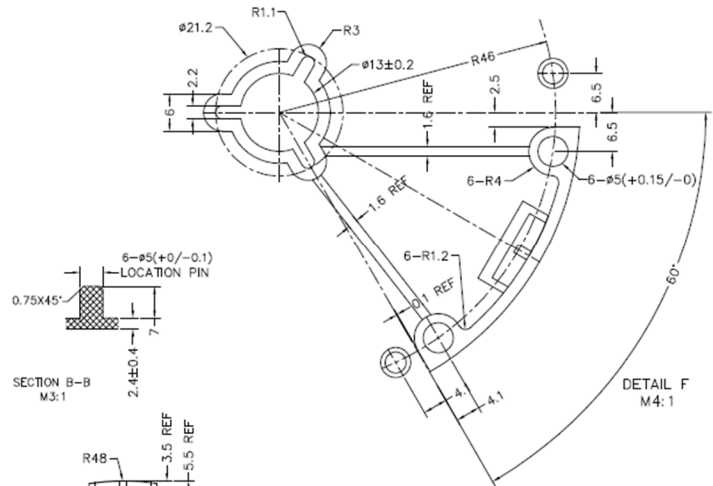
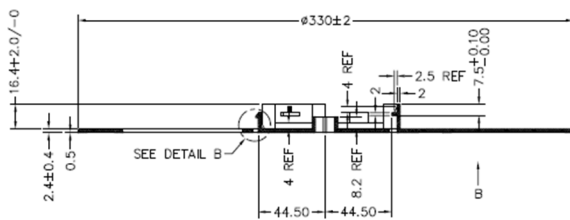
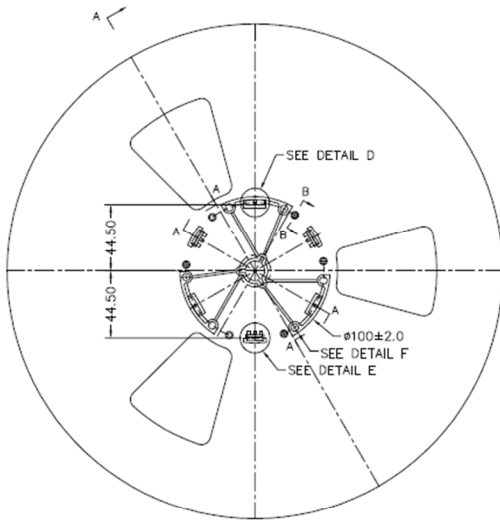
12. Tape and Reel Dimensions



7" Reel



13" Reel



13. Ordering Information

Part Number	Operating Temperature Grade	Storage Temperature Range	Package	MSL Rating	Packing (Tape & Reel)
NV6128 RA	-40 °C to +125 °C T _{CASE}	-55 °C to +150 °C T _{CASE}	6 x 8 mm QFN	1	1,000 : 7" Reel
NV6128	-40 °C to +125 °C TCASE	-55 °C to +150 °C TCASE	6 x 8 mm QFN	1	5,000 : 13" Reel

14. 20-Year Limited Product Warranty

The 20-year limited warranty applies to all packaged Navitas GaNFast Power ICs in mass production, subject to the terms and conditions of, Navitas' express limited product warranty, available at <https://navitassemi.com/terms-conditions>. The warranted specifications include only the MIN and MAX values only listed in Absolute Maximum Ratings, ESD Ratings and Electrical Characteristics sections of this datasheet. Typical (TYP) values or other specifications are not warranted.



15. Revision History

Date	Status	Notes
Dec 16, 2020	Initial Release	First publication
Apr 11, 2022	Revised	Added 20-Year Limited Product Warranty

Additional Information

DISCLAIMER Navitas Semiconductor Inc. (Navitas) reserves the right to modify the products and/or specifications described herein at any time and at Navitas' sole discretion. All information in this document, including descriptions of product features and performance, is subject to change without notice. Performance specifications and the operating parameters of the described products are determined in the independent state and are not guaranteed to perform the same way when installed in customer products. The information contained herein is provided without representation or warranty of any kind, whether express or implied. This document is presented only as a guide and does not convey any license under intellectual property rights of Navitas or any third parties.

Navitas' products are not intended for use in applications involving extreme environmental conditions or in life support systems.

Products supplied under Navitas [Terms and Conditions](#).

Navitas Semiconductor, Navitas, GaNFast and associated logos are registered trademarks of Navitas.

Copyright ©2022 Navitas Semiconductor Inc. All rights reserved

Contact info@navitassemi.com

