

IS32SE5118A

8-CH PROGRAMMABLE CAPACITIVE TOUCH SENSOR

GENERAL DESCRIPTION

IS32SE5118A is an ultra-low power, 8-channel capacitive touch controller. The controller allows sleep mode and uses auto-detection for wakeup. It also provides a shield output to increase moisture immunity. The built-in hardware monitor and calibration for the environment feature is to prevent false triggers.

A host MCU is required to communicate with IS32SE5118A. An on-chip I²C slave controller with 400kHz capability serves as the communication port for the host MCU. An interrupt, INT, can be configured and it is generated when a touch trigger event occurs. Trigger conditions can be configured by setting the interrupt register. IS32SE5118A can support proximity sensing.

IS32SE5118A is available in TSSOP-16 and wettable flank QFN-16 package. It operates from 2.35V to 5.5V over the temperature range from -40°C to +125°C.

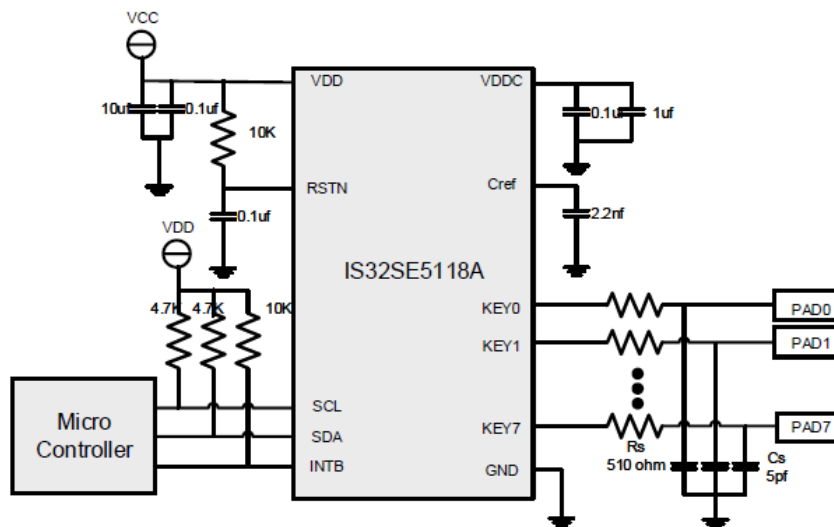
APPLICATIONS

- Touch keys for home appliances
- Touch keys for industrial control

FEATURES

- 8-channel capacitive touch controller with readable key value
- Touch threshold setting for individual key
- Optional multiple-key function
- Individual key calibration
- Interrupt output with auto-clear and repeating
- Auto sleep mode for extremely low power
- Keys wake up from sleep mode
- Buzzer/Melody Generator
- 400kHz fast-mode I²C interface
- Operating temperature between -40°C to +125°C
- TSSOP-16 and wettable flank QFN-16 (WQFN-16) package
- ROHS & Halogen-Free compliant package
- AEC-Q100 qualification
- TSCA compliance

TYPICAL APPLICATION CIRCUIT (TSSOP-16)



Note 1: SE5118A should be placed far away from the noise source for EMS.

Note 2: R_s and C_s should be placed as close to the chip as possible to reduce EMI.

Note 3: INT can be configured as a POW pin for melody application.

Note 4: The capacitors connected to VDD and VDDC should be as close to the chip as possible to reduce EMI.

IS32SE5118A

PINOUT

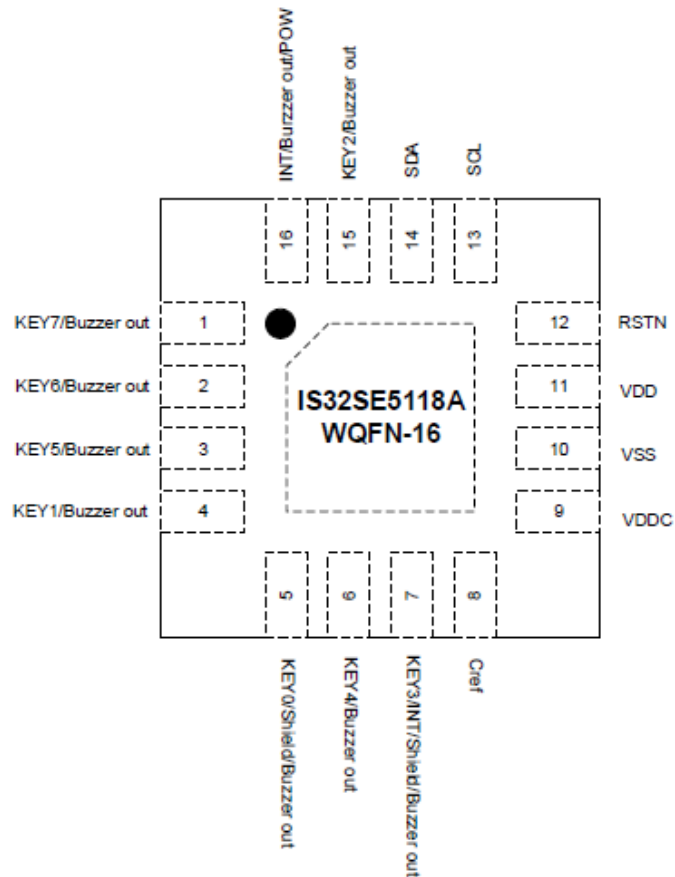
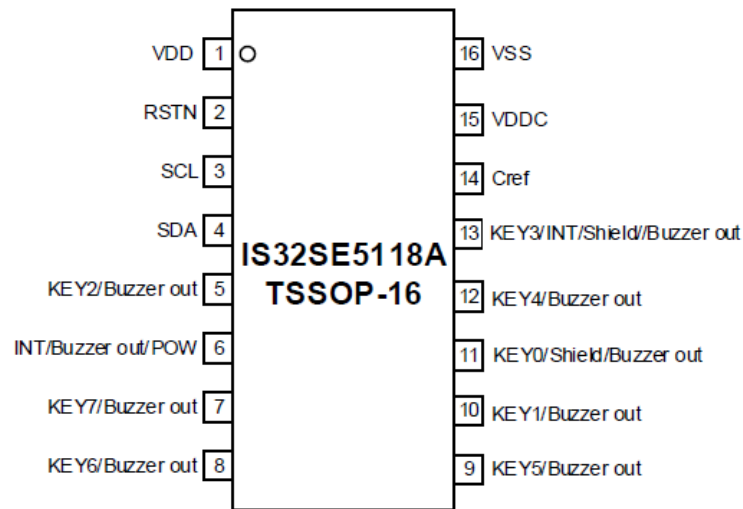


Table of Contents

1. PIN DESCRIPTION	1
2. ORDERING INFORMATION.....	2
3. ABSOLUTE MAXIMUM RATINGS.....	3
3.1 ELECTRICAL CHARACTERISTICS	3
3.2 DIGITAL INPUT SWITCHING CHARACTERISTICS (Note 4)	3
4. FUNCTION BLOCK DIAGRAM	4
4.1 Basic introduction for touch sense data process flow.....	4
4.1.1 Positive noise threshold.....	5
4.1.2 Negative noise threshold	5
4.1.3 Low baseline reset	5
4.1.4 Touch sense data identification	6
5. DETAILED DESCRIPTION	7
5.1 I2C INTERFACE	7
5.2 READING PORT REGISTERS	7
6. REGISTER DEFINITION	9
7. BUZZER / MELODY APPLICATION	23
8. TYPICAL APPLICATION INFORMATION	26
8.1 SENSITIVITY ADJUSTING	26
8.2 INTERRUPT	26
9. CLASSIFICATION REFLOW PROFILE	27
10. PACKAGE INFORMATION	28
10.1 TSSOP-16.....	28
10.1.1 RECOMMENDED LAND PATTERN.....	28
10.1.2 POD	29
10.2 WQFN-16.....	30
10.2.1 RECOMMENDED LAND PATTERN.....	30
10.2.2 POD	31
11. REVISIONS	32



IS32SE5118A

List of Tables

1. PIN DESCRIPTION	1
Table 1-1 PIN Description	1
3. ABSOLUTE MAXIMUM RATINGS	3
Table 3-1 Absolute maximum ratings	3
6. REGISTER DEFINITION	9
Table 6-1 Page 0 Register list	10

List of Figures

4. FUNCTION BLOCK DIAGRAM	4
Figure 4-1 Functional Block Diagram	4
Figure 4-2 Touch Sense Data Process Flow	4
Figure 4-3 Baseline Process based on difference of baseline and raw count	5
Figure 4-4 Touch Sense Data Identification	6
5. DETAILED DESCRIPTION	7
Figure 5-1 Interface Timing	7
Figure 5-2 Bit Transfer	7
Figure 5-3 Writing to IS32SE5118A	8
Figure 5-4 Reading from IS32SE5118A	8
7. BUZZER / MELODY APPLICATION	23
Figure 7-1 Buzzer/Melody Waveform	23
Figure 7-2 Typical Application Circuit for Melody	23
9. CLASSIFICATION REFLOW PROFILE	27
Figure 9-1 Classification Profile	27

List of Registers

6. REGISTER DEFINITION	9
00h Chip Part Number Register (RO).....	10
01h Chip Version Register 1 (RO).....	10
02h Chip Version Register 2 (RO).....	10
03h Firmware Version Register (RO).....	10
04h Run Version Register (RW).....	11
05h Main Control Register (WO).....	11
06h Reserved.....	11
07h Key Status Register (RO).....	11
08h Buzzer Register (W).....	11
08h Buzzer Register (R).....	12
09h~10h KEY0~KEY7 Signal Register (RO).....	12
11h, 13h ..., 1Dh, 1Fh KEY0~KEY7 Raw Count High Byte Register (RO).....	12
12h, 14h ..., 1Eh, 20h KEY0~KEY7 Raw Count Low Byte Register (RO).....	12
21h, 23h ..., 2Dh, 2Fh KEY0~KEY7 Baseline High Byte Register (RO).....	12
22h, 24h ..., 2Eh, 30h KEY0~KEY7 Baseline Low Byte Register (RO).....	12
31h~38h KEY0~KEY7 Finger Threshold Register (RW).....	12
39h~40h KEY0~KEY7 Noise Threshold Register (RW).....	12
41h~48h KEY0~KEY7 Negative Noise Threshold Register (RW).....	13
49h~50h KEY0~KEY7 Low Baseline Reset Register (RW).....	13
51h~58h KEY0~KEY7 Hysteresis Register (RW).....	13
59h~60h KEY0~KEY7 On Debounce Register (RW).....	13
61h Key Interrupt Enable Register (RW).....	13
62h~69h Reserved.....	13
6Ah~71h Reserved.....	13
72h Raw Count Filter Register (RW).....	14
73h Baseline IIR Ratio Register (RW).....	14
74h Lock Threshold High Byte Register (RW).....	14
75h Lock Threshold Low Byte Register (RW).....	14
76h Lock Scan Cycle Register (RW).....	14
77h Raw Count Difference Limit Register (RW).....	14
78h Multiple Touch Key Configure Register (RW).....	15
79h Max Duration Time Register (RW).....	15
7Ah Interrupt Configuration Register (RW).....	15
7Bh Interrupt Repeat Time Register (RW).....	16
7Ch Key Pin Select Register (RW).....	16
7Dh Shield Pin Select Register (RW).....	16
7Eh INT Pin Select Register 1 (RW).....	16
7Fh INT Pin Select Register 2 (RW).....	17
80h Buzzer Pin Select Register 1 (RW).....	17
81h Buzzer Pin Select Register 2 (RW).....	17
82h Buzzer Power Pin Select Register 1 (RW).....	17
83h Buzzer Power Pin Select Register 2 (RW).....	17
84h TKIII Control Register 1 (RW).....	17
85h TKIII Control Register 2 (RW).....	18
86h TKIII Control Register 3 (RW).....	18
87h TKIII CCHG Register (RW).....	18
88h TKIII PUD Register (RW).....	18
89h System Clock Select Register (RW).....	19
8Ah Spread Spectrum Register (RW).....	19
8Bh Auto Sleep Mode Register (RW).....	20
8Ch Sleep Mode Control Register (RW).....	20
8Dh Wake Up Key Select Register (RW).....	21
8Eh Wake Up Threshold Register (RW).....	21
8Fh TKIII Sleep Mode CCHG Register (RW).....	21
90h TKIII Sleep Mode PUD Register (RW).....	21
91h Sleep Mode Raw Count Register 1 (RO).....	22
92h Sleep Mode Raw Count Register 2 (RO).....	22
93h Sleep Mode Baseline Register 1 (RO).....	22
94h Sleep Mode Baseline Register 2 (RO).....	22
95h Key Scan Once Register (RW).....	22
96h Table Ready Mark Register (RO).....	22
7. BUZZER / MELODY APPLICATION	23
08h Buzzer Register (W).....	24
08h Buzzer Register (W).....	25
08h Buzzer Register (R).....	25

IS32SE5118A

1. PIN DESCRIPTION

TSSOP-16	WQFN-16	NAME	PIN DESCRIPTION
1	11	VDD	Power supply
2	12	RSTN	Reset Low Active
3	13	SCL	I2C serial clock
4	14	SDA	I2C serial data
5	15	KEY2/Buzzer out	Multiple function pin. Can be configured to touch sense channel 2 or Buzzer output.
6	16	INT/Buzzer out/POW	Multiple function pin. Can be configured to interrupt output (active low), Buzzer output, or melody power control (POW).
7 – 10	1 – 4	KEY7/6/5/1/Buzzer out	Multiple function pins. Can be configured to Input sensor channel (refer to the PINOUT) or Buzzer output.
11	5	KEY0/Shield/Buzzer out	Multiple function pin. Can be configured to Input sense channel 0, Shield output, or Buzzer output.
12	6	KEY4/Buzzer out	Multiple function pin. Can be configured to Input sense channel 4 or Buzzer output.
13	7	KEY3/INT/Shield/Buzzer out	Multiple function pin. Can be configured to Input sense channel 3, interrupt output (active low), Shield output, or Buzzer output.
14	8	Cref	External reference Capacitor for touch sense
15	9	VDDC	Internal 1.5V power supply. Connect to external 1.0uF decoupling capacitor.
16	10	VSS	Ground

Table 1-1 PIN Description

IS32SE5118A

2. ORDERING INFORMATION

Industrial Range: -40°C to +125°C

Order Part No.	Package	QTY
IS32SE5118A-ZNLS3-TR	TSSOP-16, Lead-free	2500/Reel
IS31SE5118A-QFLS3-TR	WQFN-16, Lead-free	2500/Reel

Copyright © 2021–2023 Lumissil Microsystems. All rights reserved. Lumissil Microsystems reserves the right to make changes to this specification and its products at any time without notice. Lumissil Microsystems assumes no liability arising out of the application or use of any information, products or services described herein. Customers are advised to obtain the latest version of this device specification before relying on any published information and before placing orders for products.

Lumissil Microsystems does not recommend the use of any of its products in life support applications where the failure or malfunction of the product can reasonably be expected to cause failure of the life support system or to significantly affect its safety or effectiveness. Products are not authorized for use in such applications unless Lumissil Microsystems receives written assurance to its satisfaction, that:

- a.) the risk of injury or damage has been minimized;
- b.) the user assumes all such risks; and
- c.) potential liability of Lumissil Microsystems is adequately protected under the circumstances.

IS32SE5118A

3. ABSOLUTE MAXIMUM RATINGS

Supply voltage, V _{DD}	-0.3V ~ +6.0V
Voltage at any input pin	-0.3V ~ V _{DD} +0.3V
Maximum junction temperature, T _{JMAX}	+150°C
Storage temperature range, T _{STG}	-65°C ~ +150°C
Operating temperature range T _A	-40°C ~ +125°C
Junction Package thermal resistance, junction to ambient (4-layer standard test PCB based on JESD 51-2A), θ_{JA}	50.2°C/W(TSSOP-16) 53.5°C/W(WQFN-16)
ESD (HBM)	±2kV
ESD (CDM)	±750V

Table 3-1 Absolute maximum ratings

Note 3: Stresses beyond those listed under “Absolute Maximum Ratings” may cause permanent damage to the device. These are stress ratings only and functional operation of the device at these or any other condition beyond those indicated in the operational sections of the specifications is not implied. Exposure to absolute maximum rating conditions for extended periods may affect device reliability.

3.1 ELECTRICAL CHARACTERISTICS

T_A = 25°C, V_{DD} = 2.35V ~ 5.5V, unless otherwise noted. Typical values are T_A = 25°C, V_{DD} = 3.6V.

Symbol	Parameter	Condition	Min.	Typ.	Max.	Unit
V _{DD}	Supply voltage		2.35		5.5	V
I _{DD}	Quiescent power supply current	V _{DD} = 5.5V		50		μA
ΔC _S	Minimum detectable capacitance	C _S = 5pF (Note 4)		0.2		pF
Logic Electrical Characteristics						
V _{IL}	Logic “0” input voltage	V _{DD} = 2.7V			0.4	V
V _{IH}	Logic “1” input voltage	V _{DD} = 5.5V	1.4			V
I _{IL}	Logic “0” input current	V _{INPUT} = 0V (Note 4)		5		nA
I _{IH}	Logic “1” input current	V _{INPUT} = V _{DD} (Note 4)		5		nA

3.2 DIGITAL INPUT SWITCHING CHARACTERISTICS (Note 4)

Symbol	Parameter	Condition	Min.	Typ.	Max.	Unit
f _{SCL}	Serial-Clock frequency				400	kHz
t _{BUF}	Bus free time between a STOP and a START condition		1.3			μs
t _{HD, STA}	Hold time (repeated) START condition		0.6			μs
t _{SU, STA}	Repeated START condition setup time		0.6			μs
t _{SU, STO}	STOP condition setup time		0.6			μs
t _{HD, DAT}	Data hold time				0.9	μs
t _{SU, DAT}	Data setup time		100			ns
t _{LOW}	SCL clock low period		1.3			μs
t _{HIGH}	SCL clock high period		0.7			μs
t _R	Rise time of both SDA and SCL signals	(Note 5)		20+0.1C _b	300	ns
t _F	Fall time of both SDA and SCL signals	(Note 5)		20+0.1C _b	300	ns

Note 4: Guaranteed by design.

Note 5: C_b = total capacitance of one bus line in pF. I_{SINK} ≤ 6mA. t_R and t_F measured between 0.3 × V_{DD} and 0.7 × V_{DD}.

IS32SE5118A

4. FUNCTION BLOCK DIAGRAM

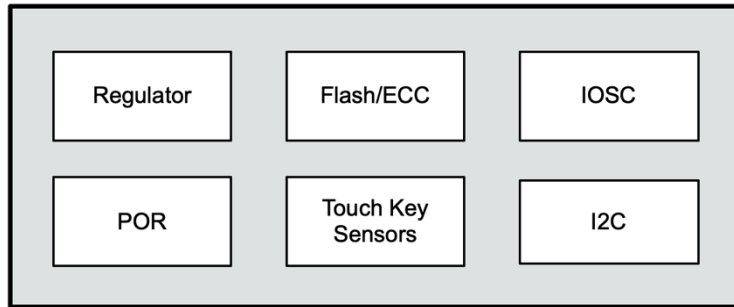


Figure 4-1 Functional Block Diagram

4.1 Basic introduction for touch sense data process flow

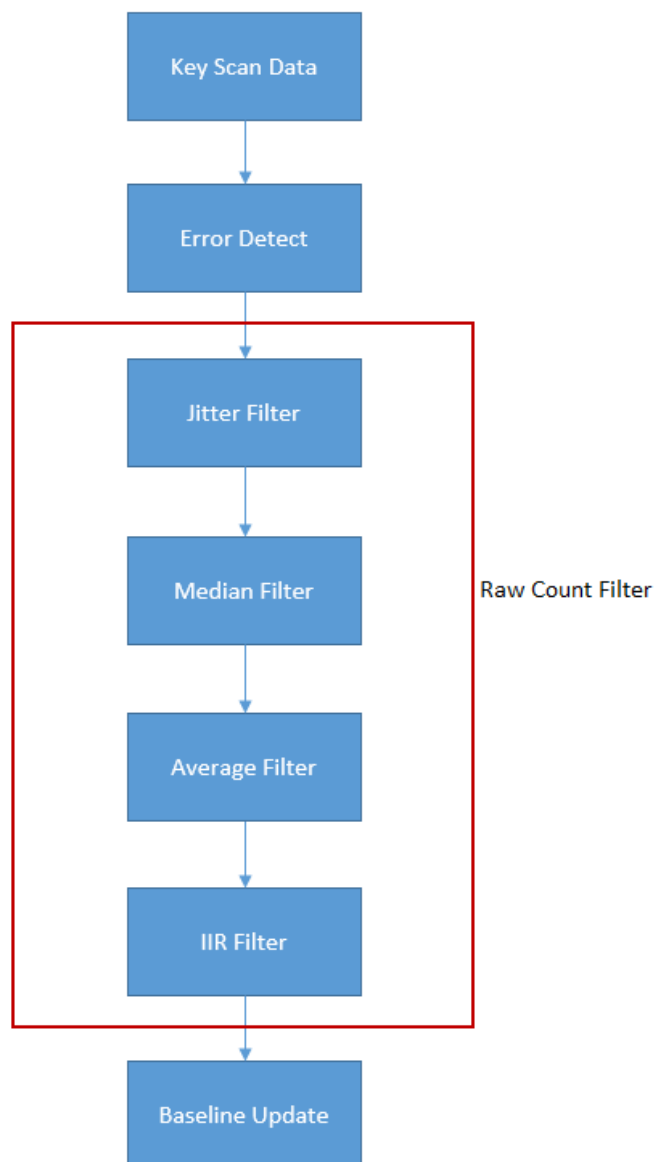


Figure 4-2 Touch Sense Data Process Flow

Baseline will be updated to the current raw count based on the below factors. For detailed information about baseline, please refer to Section 4.4.2 Key parameter in “IS31SE5118A Eval Board User’s Manual” application note.

IS32SE5118A

4.1.1 Positive noise threshold

Baseline is updated if the difference count of baseline count and raw count is below the positive noise threshold.

4.1.2 Negative noise threshold

It is used with the low baseline reset count to reset baseline count to the current raw count. Please refer to the description of Low baseline reset.

4.1.3 Low baseline reset

Low baseline reset count of each key. A reset count increases one if the absolute $|raw\ count - baseline| >$ negative noise threshold. Once the reset count exceeds the low baseline reset register value, the baseline is reset to the current raw count. The reset count will be reset to 0 if the absolute $|raw\ count - baseline| \leq$ negative noise threshold.

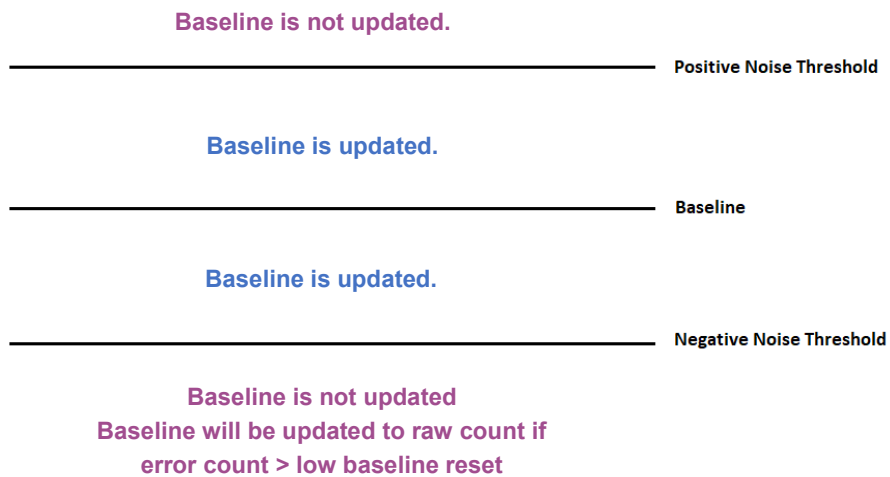


Figure 4-3 Baseline Process based on difference of baseline and raw count

IS32SE5118A

4.1.4 Touch sense data identification

Ignore touch key scan if the signal exceeds the lock threshold.

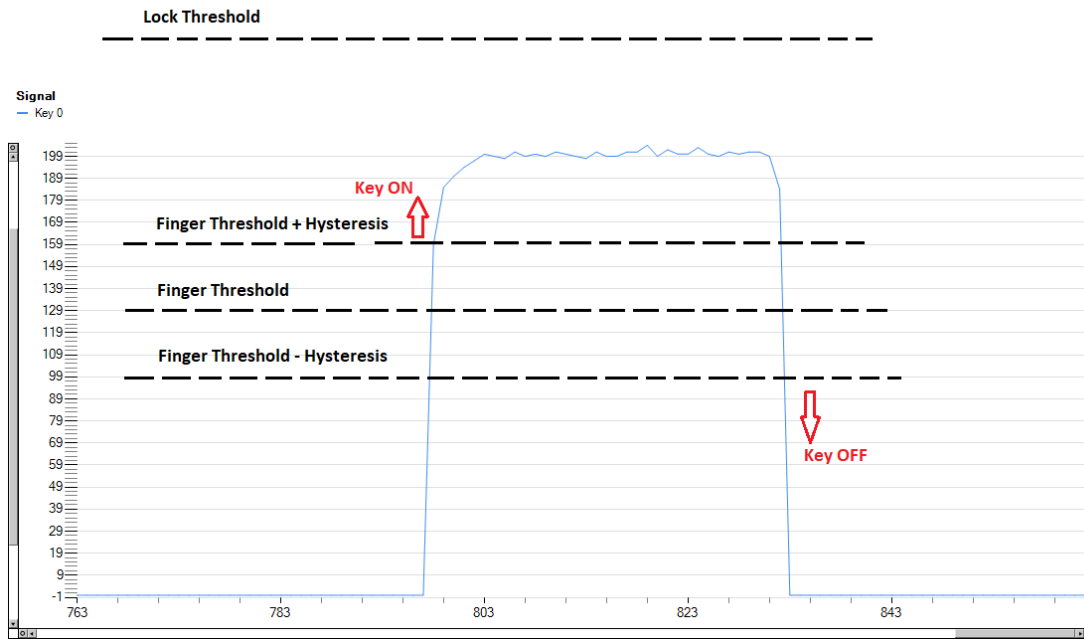


Figure 4-4 Touch Sense Data Identification

IS32SE5118A

5. DETAILED DESCRIPTION

5.1 I2C INTERFACE

IS32SE5118A uses a serial bus, which conforms to the I2C protocol, to control the chip's functions with two wires: SCL and SDA. IS32SE5118A has a 7-bit slave address (A7:A1), followed by the R/W bit, A0. Set A0 "0" for a write command and set A0 "1" for a read command.

The complete slave address is:

Bit	A7:A1	A0
Value	0111100	1/0

The SCL line is uni-directional. The SDA line is bi-directional (open collector) with a pull-up resistor (typically 4.7kΩ). The maximum clock frequency specified by the I2C standard is 400kHz. During communication, the microcontroller is the master and IS32SE5118A is the slave.

The timing diagram for the I2C is shown in Figure 5-1. The SDA is latched on to the stable high level of the SCL. When there is no bus activity, the SDA line should be held high.

The "START" signal is generated by lowering the SDA signal while the SCL signal is high. The start signal will alert all devices attached to the I2C bus to check the incoming address against their own chip address.

The 8-bit chip address is sent next and most significant bit first. Each address bit must be ready while the SCL level is high.

After the last bit of the chip address is sent, the master checks for IS32SE5118A's acknowledge. The master releases the SDA line high (through a pull-up resistor), and sends an SCL pulse. If IS32SE5118A has received the address correctly, then it holds the SDA line low during the SCL pulse. If the SDA line is not low, then the master should send a "STOP" signal (discussed later) and abort the transfer.

Following acknowledge of IS32SE5118A, the register address byte is sent and most significant bit first. IS32SE5118A must generate another acknowledge indicating that the register address has been received.

Then 8-bit of data byte are sent next, and most significant bit first. Each data bit should be valid while the SCL level is stable high. After the data byte is sent, IS32SE5118A must generate another acknowledgement to indicate that the data was received.

The "STOP" signal ends the transfer. To signal "STOP", the SDA signal goes high while the SCL signal is high.

5.2 READING PORT REGISTERS

To read the device data, the bus master must first send the address of IS32SE5118A with the R/W bit set to "0", followed by the register address byte, which determines which register is accessed. After a restart, the bus master must send IS32SE5118A address with the R/W bit set to "1". Data from the register defined by the command byte is sent from IS32SE5118A to the master (Figure 5-4).

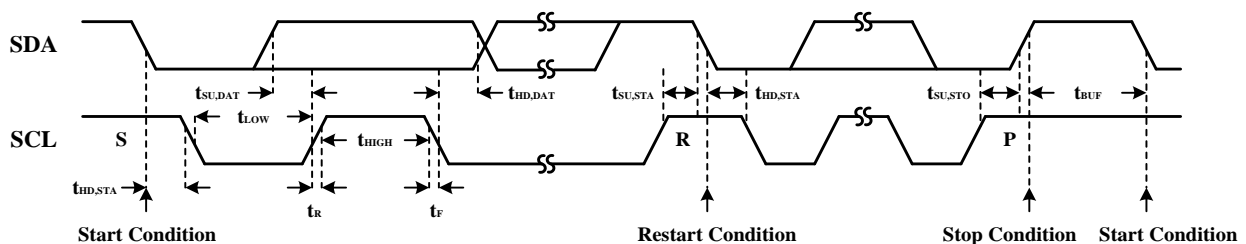


Figure 5-1 Interface Timing

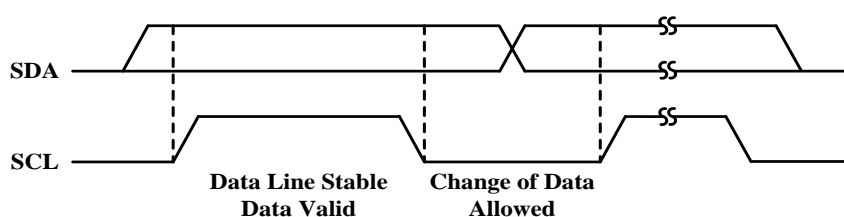


Figure 5-2 Bit Transfer

IS32SE5118A

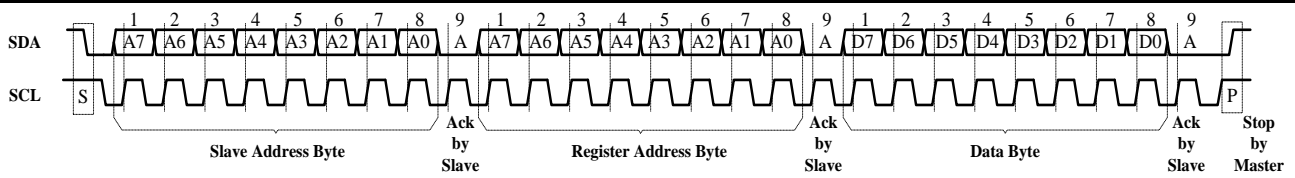


Figure 5-3 Writing to IS32SE5118A

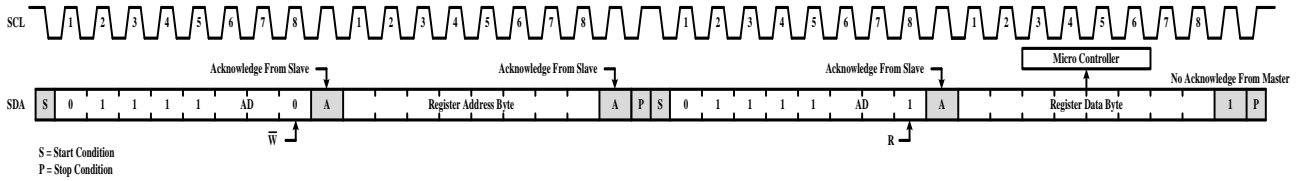


Figure 5-4 Reading from IS32SE5118A

Note: Successive read or write protocol is supported.

IS32SE5118A

6. REGISTER DEFINITION

Address	Name	Definition	R/W	Default
00h	Chip Part Number	Chip's part number	R	18h
01h-02h	Chip Version	Chip's version	R	-
03h	Firmware Version	Firmware version	R	60h
04h	Run Version	Run version	R/W	60h
05h	Main Control	System reset, power saving, and parameters management	W	00h
06h	-	Reserved	-	-
07h	Key Status	Key 0-Key 7 status bits	R	00h
08h	Buzzer W	Buzzer data or stop command	W	-
08h	Buzzer R	Available buzzer buffer size	R	0Ah
09h-10h	Key Signal	Key 0-Key 7 signal value	R	00h
11h-20h	Key Raw Count	Key 0-Key 7 raw count value	R	0000h
21h-30h	Key Baseline	Key 0-Key 7 baseline value	R	0000h
31h-38h	Key Finger Threshold	Key 0-Key 7 finger threshold setting	R/W	50h
39h-40h	Key Noise Threshold	Key 0-Key 7 noise threshold setting	R/W	28h
41h-48h	Key Negative Noise Threshold	Key 0-Key 7 negative noise threshold setting	R/W	28h
49h-50h	Key Low Baseline Reset	Key 0-Key 7 low baseline reset setting	R/W	1Eh
51h-58h	Key Hysteresis	Key 0-Key 7 hysteresis setting	R/W	0Ah
59h-60h	Key ON Debounce	Key 0-Key 7 de-bounce setting	R/W	02h
61h	Key Interrupt Enable	Key 0-Key 7 enable Interrupts associated with capacitive touch sensor inputs	R/W	00h
62h-69h	Reserved	-	-	-
6Ah-71h	Reserved	-	-	-
72h	Raw Count Filter	Raw count filter setting	R/W	00h
73h	Baseline IIR Ratio	Baseline IIR ratio setting	R/W	01h
74h	Lock Threshold High Byte	Lock threshold High Byte setting	R/W	03h
75h	Lock Threshold Low Byte	Lock threshold Low Byte setting	R/W	E8h
76h	Lock Scan Cycle	Lock scan cycle setting	R/W	08h
77h	Raw Count Difference Limit	Raw count difference limit setting	R/W	64h
78h	Multi Touch Key Configure	Multiple touch key function setting	R/W	01h
79h	Max Duration Time	Maximum duration time setting	R/W	1Ah
7Ah	Interrupt Configuration	Interrupt configuration	R/	0Ah
7Bh	Interrupt Repeat Time	Repeat cycle for pressing key interrupt setting	R/W	00h
7Ch	Key Pin Select	Select pins as Key0-Key7	R/W	00h
7Dh	Shield Pin Select	Select pin as shield	R/W	08h
7Eh-7Fh	INT Pin Select	Select pin as INT	R/W	0000h
80h	Buzzer Pin Select	Select pin as buzzer for Key0-Key7	R/W	04h
81h	Buzzer Pin Select	Select pin as buzzer for Pin 13	R/W	00h
82h	Buzzer Power Pin Select	Select pin as buzzer power for Key0-Key7	R/W	00h
83h	Buzzer Power Pin Select	Select pin as buzzer power for Pin 13	R/W	01h

IS32SE5118A

Address	Name	Definition	R/W	Default
84h	TKIII Control 1	Repeat sequence, discard starting edges, inserts an inter-sequence idle time, and low-frequency noise filter	R/W	13h
85h	TKIII Control 2	Pseudo random sequence setting	R/W	20h
86h	TKIII Control 3	Multi frequency scan/cycle count setting	R/W	03h
87h	TKIII CCHG	Internal charge capacitance setting	R/W	60h
88h	TKIII PUD	Pull-up current/ pull-up resistors setting	R/W	00h
89h	System Clock Select	System clock setting	R/W	01h
8Ah	Spread Spectrum	Spread spectrum setting	R/W	0Ch
8Bh	Auto Sleep Mode	Auto-enter sleep mode time setting	R/W	0Fh
8Ch	Sleep Mode Control	Sleep mode control setting	R/W	00h
8Dh	Wake Up Key Select	Select Key0~Key7 to exit sleep mode	R/W	00h
8Eh	Wake Up Threshold	Wake up threshold setting	R/W	08h
8Fh	TKIII Sleep Mode CCHG	Sleep mode internal charge capacitance setting	R/W	60h
90h	TKIII Sleep Mode PUD	Sleep mode pull-up current/ pull-up resistors setting	R/W	00h
91h-92h	Sleep Mode Raw Count	Sleep mode raw count value	R	0000h
93h-94h	Sleep Mode Baseline	Sleep mode baseline value	R	0000h
95h	Key Scan Once	I2C control key scan	R/W	00h
96h	Table Ready Mark	Mark for flash data ready	R	00h

Table 6-1 Page 0 Register list

00h Chip Part Number Register (RO)

Bit	D7:D0
Name	CPN[7:0]
Default	0001 1000

CPN Chip Part Number
Chip's part number 18h

01h Chip Version Register 1 (RO)

Bit	D7:D0
Name	CV1[7:0]
Default	-

CV1 Chip Version **information 1**

02h Chip Version Register 2 (RO)

Bit	D7:D0
Name	CV2[7:0]
Default	-

CV2 Chip Version **information 2**
CV1 & CV2 bytes contain chip revision. CV1 indicates mask set version. CV2 indicates minor version.

03h Firmware Version Register (RO)

Bit	D7:D0		
Name	FV1[2:0]	FV2[2:0]	FV3[1:0]
Default	010	000	00

IS32SE5118A

FV	Firmware Version Default version is 2.0.0
FV1[2:0]	Major version
FV2[2:0]	Minor version
FV3[1:0]	Patch version

04h Run Version Register (RW)

Bit	D7:D0		
Name	RV1[2:0]	RV2[2:0]	RV3[1:0]
Default	011	000	00

RV	Run Version Set run firmware version and the default value equals to the default value of the firmware version register
RV1[2:0]	Major version
RV2[2:0]	Minor version
RV3[1:0]	Patch version

05h Main Control Register (WO)

Bit	D7	D6	D5	D4	D3	D2	D1	D0
Name	SR	RD	-	SP	SS	DW	DS	-
Default	0	0	0	0	0	0	0	0

SR	System Reset 1 System reset
RD	Reset All Parameters to Manufacturer Default Setting. 1 Reset all user-defined parameters to manufacture default setting.
SP	Sleep Mode 1 Sleep mode
SS	Save User-Defined Parameters 1 Save current parameters into flash.
DW	Deep Sleep Wake Up Reset Baseline 1 Reset touch key baseline after waking up from deep sleep mode.
DS	Deep Sleep Mode 1 Keep sleep until waking up by I2C SDA falling edge.

06h Reserved

Bit	D7	D6	D5	D4	D3	D2	D1	D0
Name	-	-	-	-	-	-	-	-
Default	0	0	0	0	0	0	0	0

Reserved

07h Key Status Register (RO)

Bit	D7:D0
Name	KS[7:0]
Default	0000 0000

KSx	Key0~Key7 Status If the key is detected as pressed, the corresponding bit (KSx) will be set to "1". 0 Not detected. 1 Key is detected.
-----	---

08h Buzzer Register (W)

Bit	D7:D0
Name	BW[7:0]
Default	-

BW	Buzzer Register Write Buzzer data or stop command
----	--

IS32SE5118A

08h Buzzer Register (R)

Bit	D7:D0
Name	BR[7:0]
Default	0000 1010

BR Buzzer Register Read
It shows the available tone buffer size. SE5118A has 10 built-in note buffers.

09h~10h KEY0~KEY7 Signal Register (RO)

Bit	D7:D0
Name	KEYx_SIGNAL[7:0]
Default	0000 0000

KEYx_SIGNAL Key Signal Count
The difference between baseline and raw count.

The maximum value is 254. It will keep 254 if the value is over 254. Value 255 means noise existence.

11h, 13h ..., 1Dh, 1Fh KEY0~KEY7 Raw Count High Byte Register (RO)

Bit	D7:D0
Name	KEYx_RAWCOUNT[15:8]
Default	0000 0000

12h, 14h ..., 1Eh, 20h KEY0~KEY7 Raw Count Low Byte Register (RO)

Bit	D7:D0
Name	KEYx_RAWCOUNT[7:0]
Default	0000 0000

KEYx_RAWCOUNT Raw count of each key, provides an indication of the magnitude of the sensor's capacitance.

21h, 23h ..., 2Dh, 2Fh KEY0~KEY7 Baseline High Byte Register (RO)

Bit	D7:D0
Name	KEYx_BASELINE[15:8]
Default	0000 0000

22h, 24h ..., 2Eh, 30h KEY0~KEY7 Baseline Low Byte Register (RO)

Bit	D7:D0
Name	KEYx_BASELINE[7:0]
Default	0000 0000

KEYx_Baseline Baseline of each key

31h~38h KEY0~KEY7 Finger Threshold Register (RW)

Bit	D7:D0
Name	KEYx_TH[7:0]
Default	0101 0000

KEYx_TH Finger threshold of each key. It is used with hysteresis to determine the key state.

39h~40h KEY0~KEY7 Noise Threshold Register (RW)

Bit	D7:D0
Name	KEYx_NTH[7:0]
Default	0010 1000

KEYx_NTH Noise threshold of each key
Baseline needs to be updated if the difference (baseline and raw count) is less than the noise threshold.

IS32SE5118A

41h~48h KEY0~KEY7 Negative Noise Threshold Register (RW)

Bit	D7:D0
Name	KEYx_NNTH[7:0]
Default	0010 1000

KEYx_NNTH Negative noise threshold of each key

49h~50h KEY0~KEY7 Low Baseline Reset Register (RW)

Bit	D7:D0
Name	RCx[7:0]
Default	0001 1110

RCx Reset Count
 Low baseline reset count of each key. A reset count increases one if the absolute $|raw\ count - baseline| > absolute\ |negative\ noise\ threshold|$. Once the reset count exceeds the low baseline register value, the baseline is reset to the current raw count. The reset count will be reset to 0 if the absolute $|raw\ count - baseline| \leq absolute\ |negative\ noise\ threshold|$.

51h~58h KEY0~KEY7 Hysteresis Register (RW)

Bit	D7:D0
Name	HYSTERESISx[7:0]
Default	0000 1010

HYSTERESISx Hysteresis of each key

59h~60h KEY0~KEY7 On Debounce Register (RW)

Bit	D7:D0
Name	DEBOUNCEx[7:0]
Default	0000 0010

DEBOUNCEx De-bounce number of each key. When the acquired number $>$ de-bounce setting value, then the key is granted as on.

61h Key Interrupt Enable Register (RW)

Bit	D7:D0
Name	INTEN[7:0]
Default	0000 0000

The Interrupt Enable Register determines whether a key is detected and it causes the interrupt pin to be asserted.

INTEN Key Interrupt Enable
 0 Disable
 1 Enable

The default value for Interrupt Enable Registers is interrupt disable. Setting INE bit of Interrupt Configuration Register (69h) to "1", INT pin will generate interrupt signal.

62h~69h Reserved

Bit	D7	D6	D5	D4	D3	D2	D1	D0
Name	-	-	-	-	-	-	-	-
Default	-	-	-	-	-	-	-	-

Reserved

6Ah~71h Reserved

Bit	D7	D6	D5	D4	D3	D2	D1	D0
Name	-	-	-	-	-	-	-	-
Default	-	-	-	-	-	-	-	-

Reserved

IS32SE5118A

72h Raw Count Filter Register (RW)

Bit	D7	D6	D5:D4	D3	D2:D1	D0
Name	MF	AF	IIR[1:0]	JF	JD[1:0]	-
Default	0	0	00	0	00	0

MF	Median Filter
	0 Disable
	1 Enable
AF	Average Filter
	0 Disable
	1 Enable
IIR	IIR Filter
	00 Disable
	01 1/2
	10 1/4
	11 1/8
JF	Jitter Filter
	0 Disable
	1 Enable
JD	Jitter Delta
	00 1
	01 2
	10 4
	11 8

73h Baseline IIR Ratio Register (RW)

Bit	D7:D0
Name	RATIO[7:0]
Default	0000 0001

RATIO Range 1 ~ 255

74h Lock Threshold High Byte Register (RW)

Bit	D7:D0
Name	LT[15:8]
Default	0000 0011

75h Lock Threshold Low Byte Register (RW)

Bit	D7:D0
Name	LT[7:0]
Default	1110 1000

LT Lock Threshold

76h Lock Scan Cycle Register (RW)

Bit	D7:D0
Name	LSC[7:0]
Default	0000 1000

LSC Lock Scan Cycle
Ignore the key scan data for the setting Lock scan cycle if the |raw count – baseline| > Lock threshold.

77h Raw Count Difference Limit Register (RW)

Bit	D7:D0
Name	RCDL[7:0]
Default	0110 0100

IS32SE5118A

RCDL Raw Count Difference Limit
Ignore the key scan data if the difference between previous raw count and current raw count exceeds the limit.

78h Multiple Touch Key Configure Register (RW)

Bit	D7:D2	D1:D0
Name	-	MTK[1:0]
Default	000000	01

MTK Multi Touch Key
 00 Allow all keys to be triggered at one time.
 01 Allow one key to be triggered at one time.
 10 Allow two keys to be triggered at one time.
 11 Allow three keys to be triggered at one time.

79h Max Duration Time Register (RW)

Bit	D7	D6	D5	D4	D3:D0
Name	-	-	-	MDEN	MDT[3:0]-
Default	0	0	0	1	1010

MDEN Maximum Duration Time Enable
 0 Disable
 1 Enable

MDT Maximum Duration Time
 0000 0.5s
 0001 1s
 0010 2s
 0011 3s
 0100 4s
 0101 5s
 0110 6s
 0111 7s
 1000 8s
 1001 9s
 1010 10s
 1011 11s
 1100 12s
 1101 13s
 1110 14s
 1111 15s

MDT bits set the pressed time. When the key pressed duration exceeds the programmed time (MDT), the device will be forced to calibrate the pressed key. Set MDEN to “1” will enable this function.

7Ah Interrupt Configuration Register (RW)

Bit	D7	D6:D4	D3	D2:D0
Name	INE	-	ACEN	ACT[2:0]
Default	0	000	1	010

INE Interrupt Function Enable
 0 Disable
 1 Enable

ACEN Auto-Clear Interrupt Enable
 0 Disable
 1 Enable

ACT Auto-Clear Interrupt Time
 000 10ms
 001 20ms
 010 30ms
 011 40ms

IS32SE5118A

100	50ms
101	100ms
110	150ms
111	200ms

When ACEN=0, the INT will keep low until the device 07h register is read, or the key is released. When ACEN=1, the INT will be released after ACT setting time is expired even 07h register is not read, or key is still pressed.

7Bh Interrupt Repeat Time Register (RW)

Bit	D7:D4	D3:D0
Name	-	INTRT[3:0]
Default	0000	0000

INTRT	Interrupt Repeat Time
0000	disable
0001	50ms
0010	100ms
0011	150ms
0100	200ms
0101	250ms
0110	300ms
0111	350ms
1000	400ms
1001	450ms
1010	500ms
1011	600ms
1100	700ms
1101	800ms
1110	900ms
1111	1s

After INTRT is set, a second interrupt will be generated after the interrupt repeat time is expired If there is a key keeping pressed.

7Ch Key Pin Select Register (RW)

Bit	D7:D0
Name	KS[7:0]
Default	0000 0000

KS	Key Pin Selection Setting
0	Disable
1	Enable

7Dh Shield Pin Select Register (RW)

Bit	D7:D0
Name	SHDE[7:0]
Default	0000 1000

SHDE	Shield Enable (only for bit0 and bit3)
0	Disable shield driver
1	Enable shield driver

7Eh INT Pin Select Register 1 (RW)

Bit	D7:D0
Name	IPS1[7:0]
Default	0000 0000

IS32SE5118A

7Fh INT Pin Select Register 2 (RW)

Bit	D0
Name	IPS2[0]
Default	0

IPS1/2

INT Pin Select 1/2

IPS1[7:0] maps to KEY[7:0]. Write 1 will enable the related Key as an INT pin.

IPS2[0] maps to Pin 13. Write 1 will enable Pin13 as an INT pin.

80h Buzzer Pin Select Register 1 (RW)

Bit	D7:D0
Name	BPS1[7:0]
Default	0000 0100

81h Buzzer Pin Select Register 2 (RW)

Bit	D0
Name	BPS2[0]
Default	0

BPS1/2

Buzzer output Select 1/2

BPS1[7:0] maps to KEY[7:0]. Write 1 will enable the related Key as a Buzzer output pin.

BPS2[0] maps to Pin 13. Write 1 will enable Pin 13 as a Buzzer output pin.

82h Buzzer Power Pin Select Register 1 (RW)

Bit	D7:D0
Name	EBP1[7:0]
Default	0000 0000

83h Buzzer Power Pin Select Register 2 (RW)

Bit	D0
Name	EBP2[0]
Default	1

EBP1/2

Buzzer Power Select 1/2

EBP1[7:0] maps to KEY[7:0]. Write 1 will enable the related Key as a Buzzer Power pin.

EBP2[0] maps to Pin 13. Write 1 will enable Pin 13 as a Buzzer Power pin.

84h TKIII Control Register 1 (RW)

Bit	D7:D6	D5:D4	D3:D2	D1:D0
Name	RPT	INI	ASTDLY	
Default	00	01	00	11

RPT

Repeat Sequence Count

00 No repeat

01 Repeat 4 times

10 Repeat 8 times

11 Repeat 16 times

INI

Initial Setting Delay

INI[1:0] defines the number of TKCLK periods for the initial settling of pin Cref. The delay is $(INI[1:0] + 1) * 4 * TKCLK$.

ASTDLY

Auto Mode Start Delay

ASTDLY[1:0] inserts an inter-sequence idle time of $(ASTDLY[1:0] + 1) * 256 * TKCLK$ at each sequence start. This delay allows the stabilization time from normal mode to sleep mode.

LFNF

Low-Frequency Noise Filter Setting

00 disable LFNE

If the scan count with noise injection detection is larger than $(LFNF[1-0] * 8)$, the scan result is ignored.

85h TKIII Control Register 2 (RW)

Bit	D7	D6	D5	D4	D3	D2:D1	D0
Name	-	-	PRS	-	-	-	-
Default	0	0	1	0	0	00	0

PRS Pseudo Random Sequence
 0 Disable PRS
 1 Enable PRS

86h TKIII Control Register 3 (RW)

Bit	D7:D4	D3	D2:D0
Name	-	MFEN	CCNT[2:0]
Default	0000	0	011

MFEN Multi Frequency Scan
 0 Disable MF
 1 Enable MF

CCNT Cycle Count of Each Conversion Sequence
 000 1024
 001 2048
 010 4096
 011 8192
 100 12288
 101 16384
 110 32768
 111 65536

87h TKIII CCHG Register (RW)

Bit	D7:D5	D4:D0
Name	CCHG[2:0]	-
Default	011	00000

CCHG Internal Reference Capacitance Select
 000 10pF
 001 20pF
 010 30pF
 011 40pF
 100 50pF
 101 60pF
 110 70pF
 111 80pF

88h TKIII PUD Register (RW)

Bit	D7	D6	D5:D4	D3:D0
Name	PUDIEN	PUDREN	-	PUD[3:0]
Default	0	0	00	0000

TK3PUD is to configure a constant DC pull-up/pull-down on pin Cref to allow high capacitance touch-key detection. A DC pull-up/pull-down can compensate for the equivalent resistance which is caused by a high capacitance key. Connecting a constant current source or resistor can thus maintain touch key detection sensitivity. In general, we will try to maintain the raw count around half of CCNT for the case without key touched.

For DC current, PUD[3:0] enables 8uA/4uA/2uA/1uA current source. For Resistor, PUD[3:0] enables 5K/10K/20K/40K resistor.

PUDIEN Pull-up/Pull-down DC Current Enable
 PUDREN Pull-up/Pull-down DC Resistor Enable
 PUD Pull up DC Current

IS32SE5118A

PUD	1000	Enable 8uA current source.
	0100	Enable 4uA current source.
	0010	Enable 2uA current source.
	0001	Enable 1uA current source.
	Pull up Resistor	
	1000	Enable 5K resistor source.
	0100	Enable 10K resistor source.
	0010	Enable 20K resistor source.
	0001	Enable 40K resistor source.

89h System Clock Select Register (RW)

Bit	D7:D4	D3	D2:D0
Name	SCS[3:0]-	CLKS	TKCS[2:0]
Default	0000	0	001

SCS	System Clock Select
0000	16MHz / 1
0001	16MHz / 2
0010	16MHz / 4
0011	16MHz / 6
0100	16MHz / 8
0101	16MHz / 10
0110	16MHz / 12
0111	16MHz / 14
1000	16MHz / 16
1001	16MHz / 32
1010	16MHz / 64
1011	16MHz / 128
1100	16MHz / 256
1101	16MHz / 256
1110	16MHz / 256
1111	16MHz / 256
CLKS	Clock Stretching (For I2C)
0	Disable stretching
1	Enable stretching
TKCS	Touch Key Clock Select
000	System Clock / 2
001	System Clock / 4
010	System Clock / 6
011	System Clock / 8
100	System Clock / 10
101	System Clock / 16
110	System Clock / 32
111	64KHz

8Ah Spread Spectrum Register (RW)

Bit	D7:D2		
Name	SSR[3:0]	SSA[1:0]	-
Default	0000	11	-

SS	Spread Spectrum Setting
	With spread spectrum technique, electromagnetic energy produced over a particular bandwidth is spread in the frequency domain, and that can reduce EMI. Two parameters are listed as follows:
SSR[3:0]	Defines the spread spectrum sweep rate. If the SSR[3:0] =0, then spread spectrum is disabled.
SSA[1:0]	Defines how to adjust the spread spectrum frequency bandwidth. The frequency is adjusted by adding SSA [1:0] range to the actual internal OSC control register.
SSA[1:0]=11	+/- 32

IS32SE5118A

SSA[1:0]=10 +/- 16
 SSA[1:0]=01 +/- 8
 SSA[1:0]=00 +/- 4

8Bh Auto Sleep Mode Register (RW)

Bit	D7	D6	D5:D4	D3:D0
Name	ASEN	-	BLMA[1:0]	AST[3:0]-
Default	0	0	00	1111

ASE N Auto-SLEEP Enable
 0 Disable
 1 Enable

BLMA Baseline moving average
 Hardware baseline can be generated by slow moving average setting.
 00 32 average
 01 64 average
 10 128 average
 11 256 average

AST Auto Sleep Time
 0000 0.5s
 0001 1s
 0010 1.5s
 0011 2s
 0100 2.5s
 0101 3s
 0110 3.5s
 0111 4s
 1000 4.5s
 1001 5s
 1010 6s
 1011 7s
 1100 8s
 1101 9s
 1110 10s
 1111 11s

8Ch Sleep Mode Control Register (RW)

Bit	D7	D6	D5	D4	D3:D2	D1:D0
Name	-	PW	-	SC	T2[1:0]	T1[1:0]
Default	0	0	0	0	00	00

PW Proximity Wakeup
 Disable: wake up>>scan key once>>go to sleep again
 Enable: wake up>> generates INT signal (optional) >>go to sleep after Auto Sleep Time is expired if no key is detected
 0 Disable
 1 Enable

SC Sleep Calibration
 0 Disable
 1 Enable

T2 Wake Up Period with Key Disable
 Device will be woken up according to the T2 setting by polling the status of Key.
 00 50ms
 01 100ms
 10 200ms
 11 300ms

T1 Wake Up Period with Key Enable
 The device will be woken up according to the T1 setting to maintain the baseline to prevent the change of environment from stopping Key waking up the device.

IS32SE5118A

00	2s
01	4s
10	8s
11	16s

8Dh Wake Up Key Select Register (RW)

Bit	D7:D0
Name	WK[7:0]
Default	0000 0000

WK Wakeup Key Select Setting
 0 Disable
 1 Enable

8Eh Wake Up Threshold Register (RW)

Bit	D7:D0
Name	WTH[7:0]
Default	0000 1000

Wake up threshold range from 0 to 255

8Fh TKIII Sleep Mode CCHG Register (RW)

Bit	D7:D5	D4:D0
Name	CCHG[2:0]	-
Default	011	00000

CCHG Internal Reference Capacitance Select
 000 10pF
 001 20pF
 010 30pF
 011 40pF
 100 50pF
 101 60pF
 110 70pF
 111 80pF

90h TKIII Sleep Mode PUD Register (RW)

Bit	D7	D6	D5:D4	D3:D0
Name	PUDIEN	PUDREN	-	PUD[3:0]
Default	0	0	00	0000

TK3 PUD is to configure a constant DC pull-up/pull-down on pin Cref to allow high capacitance touch-key detection. A DC pull-up/pull-down can compensate for the equivalent resistance caused by a high capacitance key. Connecting a switching current source or resistor can thus maintain touch key detection sensitivity.

For DC current, PUD[3:0] can enable 8uA/4uA/2uA/1uA current source. For Resistor, PUD[3-0] can enable 5K/10K/20K/40K resistor.

PUDIEN Pull-up/Pull-down DC Current Enable
 PUDREN Pull-up/Pull-down DC Resistor Enable
 PUD Pull up DC Current
 1000 Enable 8uA current source.
 0100 Enable 4uA current source.
 0010 Enable 2uA current source.
 0001 Enable 1uA current source.
 PUD Pull up Resistor
 1000 Enable 5K resistor source.
 0100 Enable 10K resistor source.
 0010 Enable 20K resistor source.
 0001 Enable 40K resistor source.

IS32SE5118A

91h Sleep Mode Raw Count Register 1 (RO)

Bit	D7:D0
Name	SLRC[15:8]
Default	0000 0000

92h Sleep Mode Raw Count Register 2 (RO)

Bit	D7:D0
Name	SLRC[7:0]
Default	0000 0000

SLRC Sleep Mode Raw Count
Read only. Value for reference

93h Sleep Mode Baseline Register 1 (RO)

Bit	D7:D0
Name	SLB[15:8]
Default	0000 0000

94h Sleep Mode Baseline Register 2 (RO)

Bit	D7:D0
Name	SLB[7:0]
Default	0000 0000

SLB Sleep Mode Baseline
Read only. Value for reference

95h Key Scan Once Register (RW)

Bit	D7:D2	D1	D0
Name	-	TR	EN
Default	000000	0	0

TR

Write 1 Trigger one scan
Read 1 Busy
Read 0 Data ready

EN

Enable Key Scan Once
0 Continuous scan of all enabled keys
1 Scan all enabled keys once

96h Table Ready Mark Register (RO)

Bit	D7	D6:D0
Name	INIRDY	MARK[6:0]
Default	0	0000000

INIRDY Touch Key Init Ready
1 Touch key is initializing
0 Touch key initialization is completed

MARK

This register is used by firmware to indicate parameters are correctly programmed.
Ready/Fail status
00 ready
Others not ready

IS32SE5118A

7. BUZZER / MELODY APPLICATION

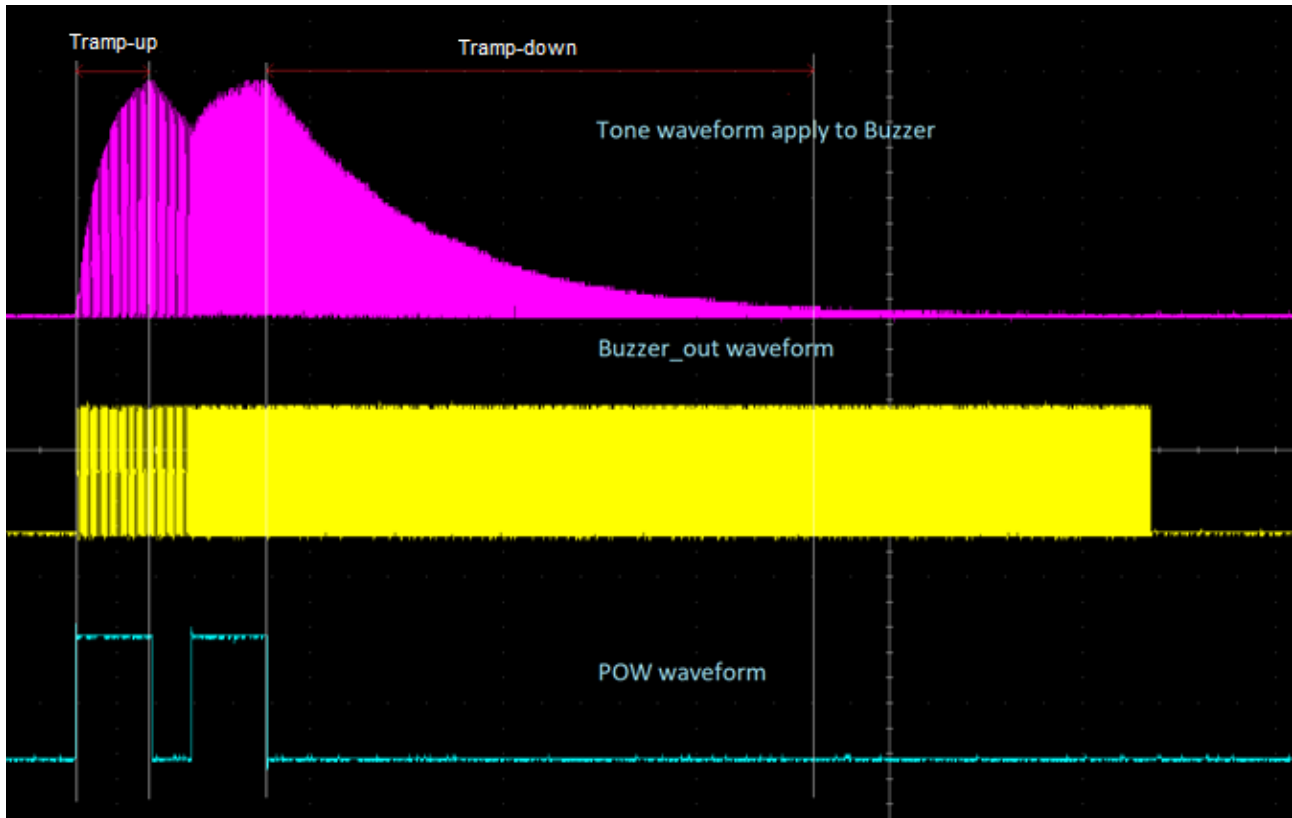


Figure 7-1 Buzzer/Melody Waveform

Note:

Tramp-up: 100R as below Figure 7-2 decides the signal ramp-up rate.

Tramp-down: The signal ramps down because POW is low and 47uF capacitor as below Figure 7-2 decides the ramp- down rate.

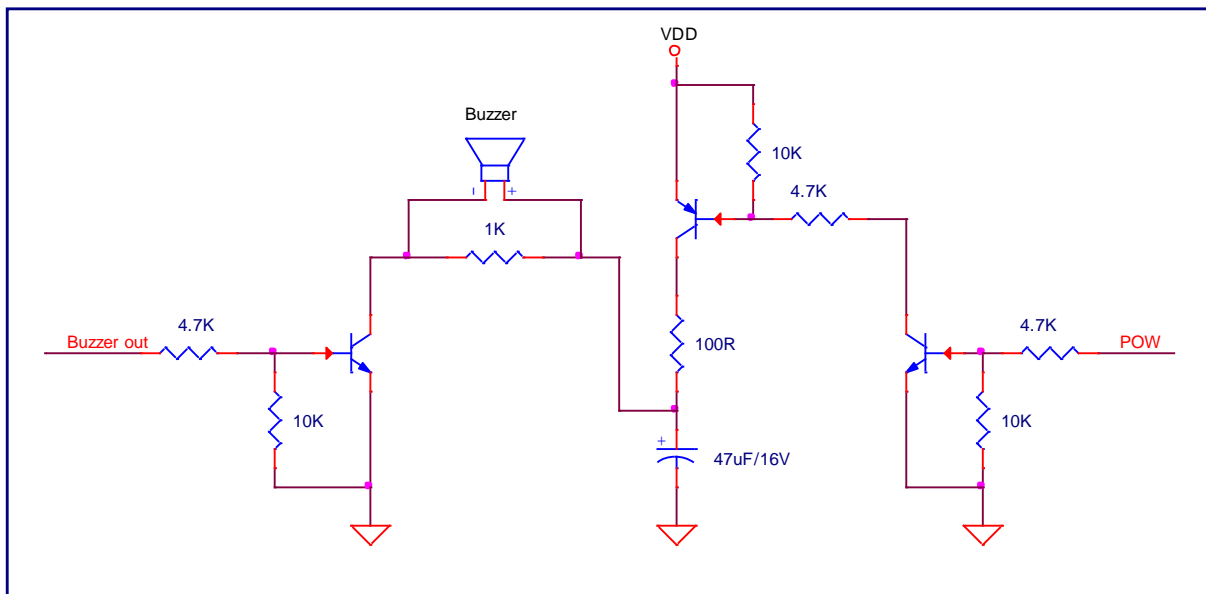


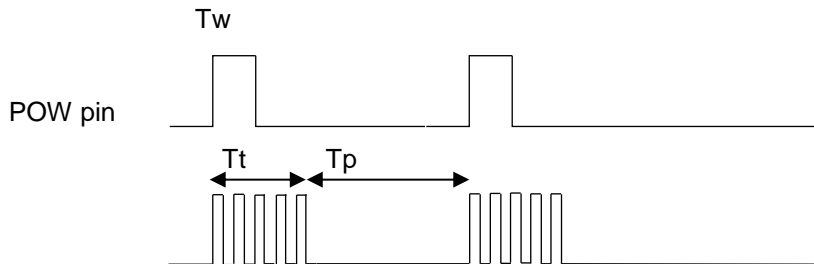
Figure 7-2 Typical Application Circuit for Melody

IS32SE5118A

08h Buzzer Register (W)

Bit	D7:D0
Name	BW
Default	-

1st byte	2nd byte	3rd byte	4th byte
Scale ID	Tt	Tw	Tp



Buzzer out pin

T_t , T_w , and T_p range from 0 to 255 @ 4ms step

A Tone played duration is defined as $T_t + T_p$.

The support scale is from 3A to 8G#.

Frequencies for equal-tempered scale, A4 = 440 Hz												
"Middle C" is C4												
	3	freq	divisor	freq error	4	freq	divisor	freq error	5	freq	divisor	freq error
C					3	261.6	1911	0.01%	15	523.3	956	-0.05%
C#					4	277.2	1804	-0.01%	16	554.4	902	-0.01%
D					5	293.7	1703	-0.02%	17	587.3	851	0.04%
D#					6	311.1	1607	0.00%	18	622.3	804	-0.06%
E					7	329.6	1517	-0.01%	19	659.3	758	0.06%
F					8	349.2	1432	-0.02%	20	698.5	716	-0.02%
F#					9	370.0	1351	0.03%	21	740.0	676	-0.05%
G					10	392.0	1276	-0.04%	22	784.0	638	-0.04%
G#					11	415.3	1204	-0.01%	23	830.6	602	-0.01%
A	0	220.0	2273	-0.01%	12	440.0	1136	0.03%	24	880.0	568	0.03%
A#	1	233.1	2145	0.01%	13	466.2	1073	-0.04%	25	932.3	536	0.05%
B	2	246.9	2025	-0.01%	14	493.9	1012	0.04%	26	987.8	506	0.04%
	6	freq	divisor	Freq error	7	freq	divisor	Freq error	8	freq	divisor	Freq error
C	27	1046.5	478	-0.05%	39	2093.0	239	-0.05%	51	4186.0	119	0.37%
C#	28	1108.7	451	-0.01%	40	2217.5	225	0.21%	52	4434.9	113	-0.23%
D	29	1174.7	426	-0.08%	41	2349.3	213	-0.08%	53	4698.6	106	0.39%
D#	30	1244.5	402	-0.06%	42	2489.0	201	-0.06%	54	4978.0	100	0.44%
E	31	1318.5	379	0.06%	43	2637.0	190	-0.21%	55	5274.0	95	-0.21%
F	32	1396.9	358	-0.02%	44	2793.8	179	-0.02%	56	5587.7	89	0.54%
F#	33	1480.0	338	-0.05%	45	2960.0	169	-0.05%	57	5919.9	84	0.55%
G	34	1568.0	319	-0.04%	46	3136.0	159	0.28%	58	6271.9	80	-0.35%

IS32SE5118A

Frequencies for equal-tempered scale, A4 = 440 Hz "Middle C" is C4												
G#	35	1661.2	301	-0.01%	47	3322.4	150	0.33%	59	6644.9	75	0.33%
A	36	1760.0	284	0.03%	48	3520.0	142	0.03%				
A#	37	1864.7	268	0.05%	49	3729.3	134	0.05%				
B	38	1975.5	253	0.04%	50	3951.1	127	-0.36%				

Scale ID(Sid): 0 is 3A, 1 is 3A#, 2 is 3B

08h Buzzer Register (W)

Bit	D7:D0											
Name	BW											
Default	0000 0000											

Write melody data, stop melody play and clear the FIFO

08h Buzzer Register (R)

Bit	D7:D0											
Name	BR											
Default	0000 1010											

BR Buzzer Register Read. It shows the available tone buffer size. SE5118A has 10 built-in note buffers.

I2C command format - Each note is composed of 4 byte data and the incomplete note will be ignored. The incoming note data will be ignored when the FIFO is full.

0x78, 0x07, (Sid, Tt, Tw, Tp), (Sid, Tt, Tw, Tp),

0x78, 0x07, 0xFF stops the melody play and clear the FIFO.

0x78, 0x07 Set the register number 0xF0.

0x79 Read FIFO's remaining length.

IS32SE5118A

8. TYPICAL APPLICATION INFORMATION

GENERAL DESCRIPTION

The IS32SE5118A is an ultra-low power, fully integrated 8-channel solution for capacitive touch-buttons applications. The chip allows electrodes to project sense fields through any dielectric material such as glass or plastic.

8.1 SENSITIVITY ADJUSTING

Sensitivity can be adjusted by the external capacitor or internal register. A higher capacitor value will yield out lower detect sensitivity. A lower capacitor value will yield out higher detect sensitivity.

8.2 INTERRUPT

Touch key detection event will trigger INT pin. The INT pin will be driven low when the selected channel is pressed.

IS32SE5118A

9. CLASSIFICATION REFLOW PROFILE

Profile Feature	Pb-Free Assembly
Preheat & Soak Temperature min (T _{smin}) Temperature max (T _{smax}) Time (T _{smin} to T _{smax}) (t _s)	150°C 200°C 60-120 seconds
Average ramp-up rate (T _{smax} to T _p)	3°C/second max.
Liquidous temperature (T _L) Time at liquidous (t _L)	217°C 60-150 seconds
Peak package body temperature (T _p)*	Max 260°C
Time (t _p)** within 5°C of the specified classification temperature (T _c)	Max 30 seconds
Average ramp-down rate (T _p to T _{smax})	6°C/second max.
Time between 25°C to peak temperature	8 minutes max.

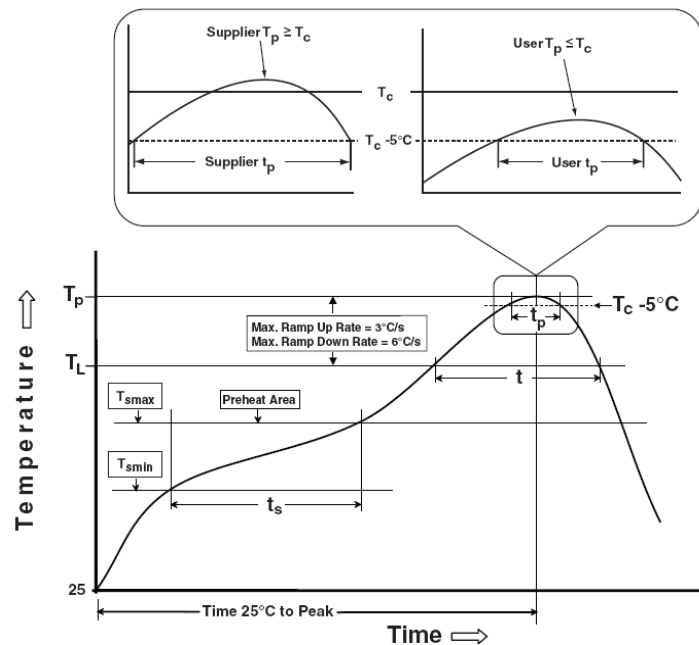


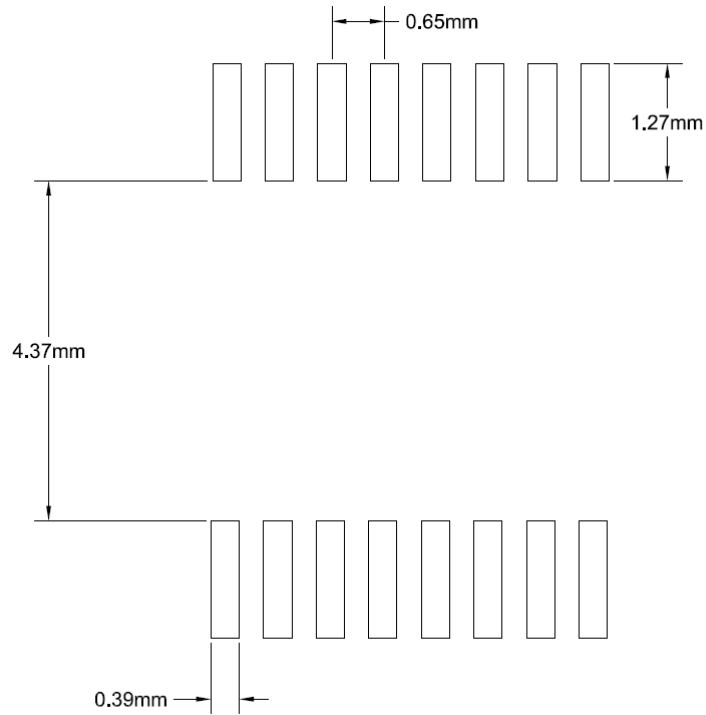
Figure 9-1 Classification Profile

IS32SE5118A

10. PACKAGE INFORMATION

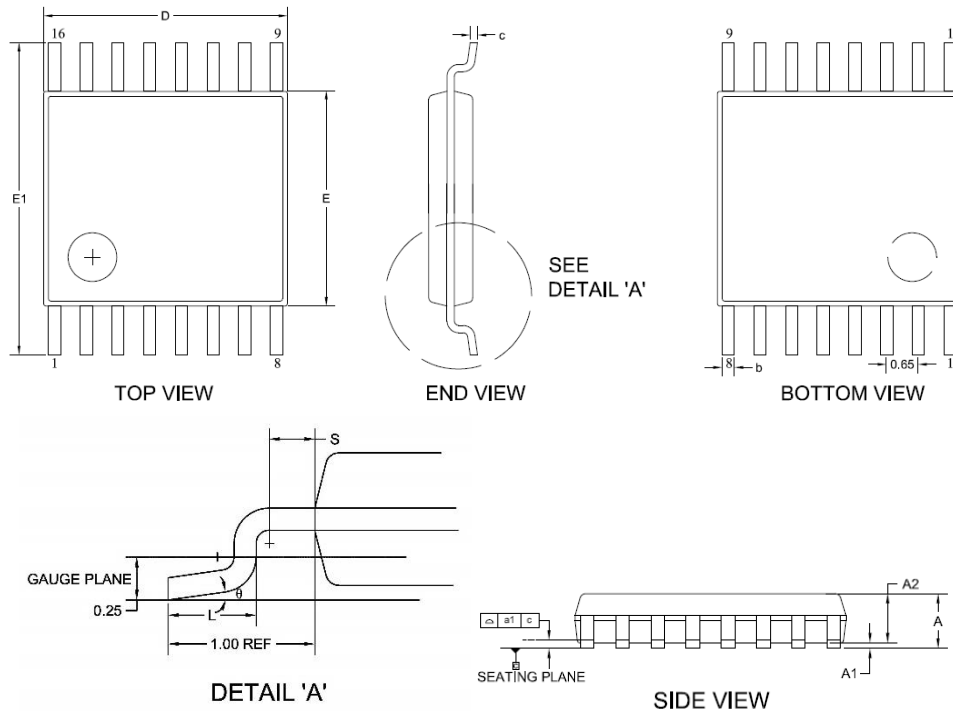
10.1 TSSOP-16

10.1.1 RECOMMENDED LAND PATTERN



IS32SE5118A

10.1.2POD



SYMBOL	MILLIMETER		
	MIN	NOM	MAX
A	—	—	1.20
A1	0.05	—	0.15
A2	0.80	1.00	1.05
D	4.90	5.00	5.10
E	4.30	4.40	4.50
E1	6.40BSC		
L	0.45	0.60	0.75
b	0.19	—	0.30
S	0.20		
c	0.09	—	0.20
θ	0°		8°
a1	0.10		

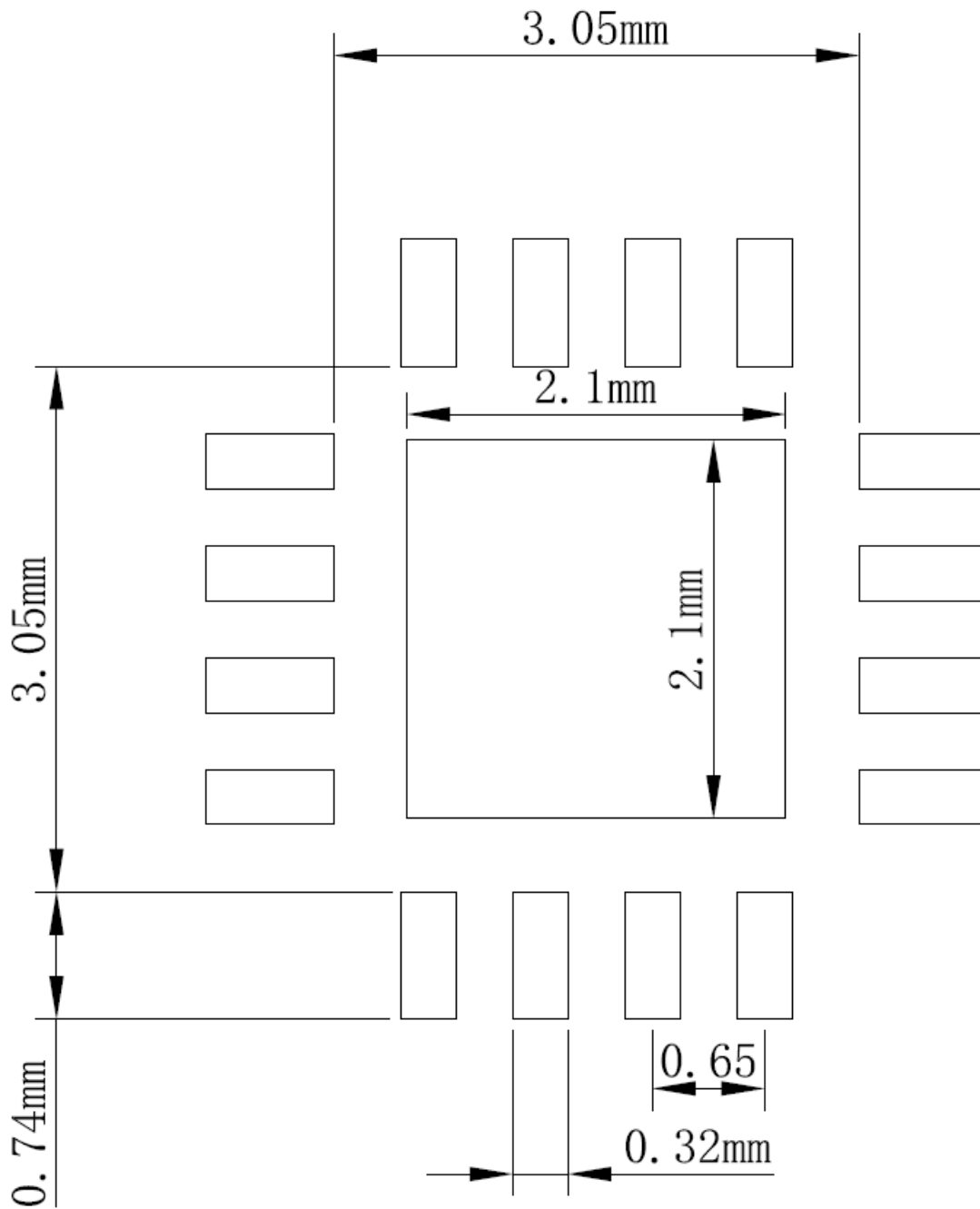
NOTES:

1. CONTROLLING DIMENSION: MM
2. REFERENCE DOCUMENT: JEDEC MO-153

IS32SE5118A

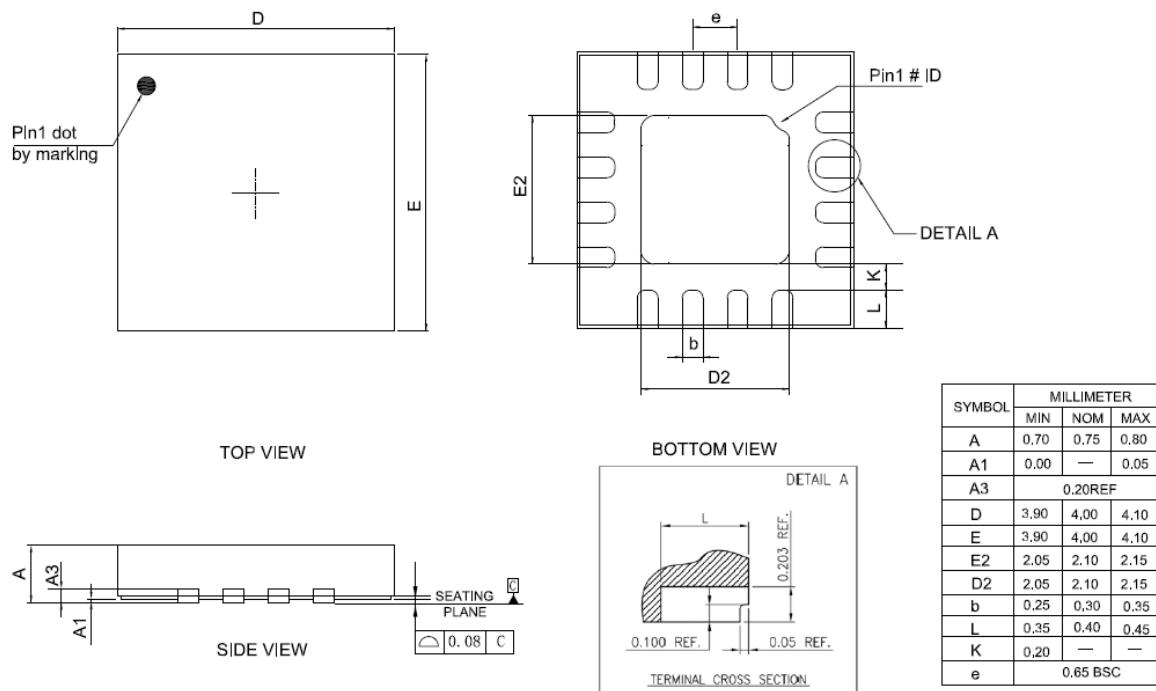
10.2 WQFN-16

10.2.1 RECOMMENDED LAND PATTERN



IS32SE5118A

10.2.2POD



NOTE:

1. CONTROLLING DIMENSION: MM
2. REFERENCE DOCUMENT: JEDEC MO-220
3. THE PIN'S SHARP AND THERMAL PAD SHOWS DIFFENENT SHAPE AMONG DIFFERENT FACTORIES.

IS32SE5118A



11. REVISIONS

Revision	Detailed Information	Date
A	First Formal Release	2023.11.29